



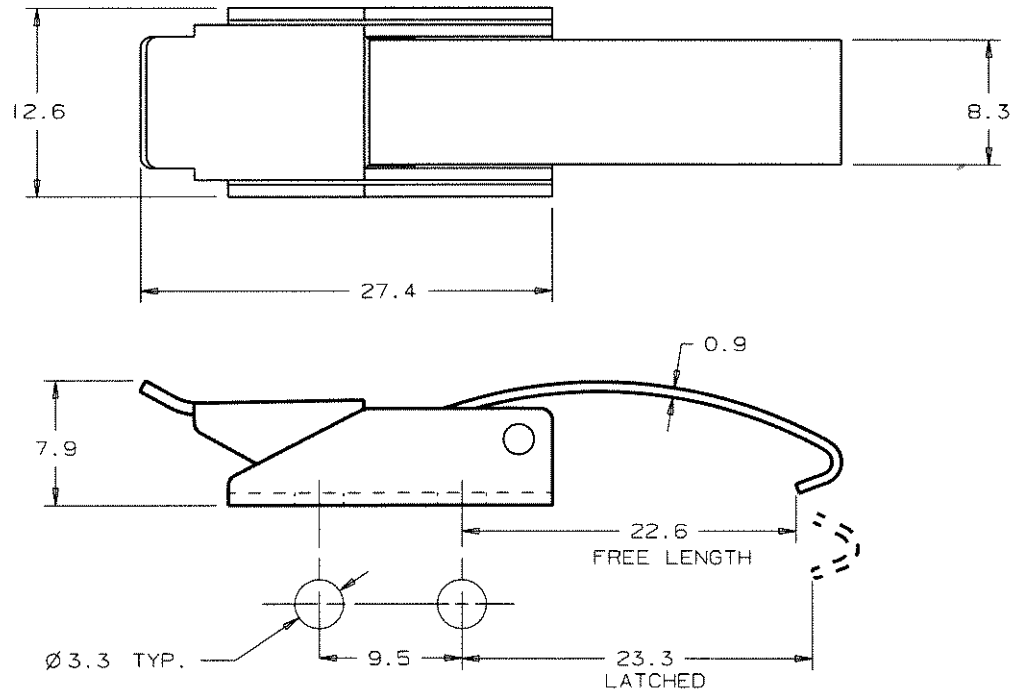
NO. 97 DRAW CATCH - MOUNTING SPECIFICATIONS

DATE	DRAWN	CHKD	SCALE	DRAWING NUMBER
12-11-75	ACZ		2:1	J-97-30-4

REV.	DATE	BY-CHKD	REVISIONS	PART NUMBER	MATERIAL	FINISH	PIN MATERIAL
A	7-1-76	ACZ	ADDED PART NO. SUFFIX "-12"	97-30-160-11	STEEL	SEE NOTE A	SEE NOTE B
B	1-25-82	AJF	PRN: S-1-01	97-30-160-12	STAINLESS STEEL	PASSIVATE	" "
C	2-2-87	GGG	PRN: 97-113				
D	12JAN93	JC	PRN: S-1-03				
E	06SEP96	JDT	PRN: 97-221B				

NOTES:

- A - ZINC PLATE, BRIGHT CHROMATE DIP.
- B - 18-9LW STAINLESS STEEL, PASSIVATED.



FORMAT 3/88

PROPRIETARY ITEM - EXCEPT FOR USES EXPRESSLY GRANTED IN WRITING INFORMATION DISCLOSED HEREON IS CONFIDENTIAL AND ALL RIGHTS PATENT AND OTHERWISE ARE RESERVED BY SOUTHCO, INC.

ALL DIMENSIONS ARE IN MILLIMETERS. ALL DIMENSIONS WITHOUT TOLERANCES ARE REFERENCE. THIRD ANGLE PROJECTION DRAWING.

DRAWING NUMBER J-97-30-4