



92 Cam Latch

T and L-Handle · Adjustable grip

- Round hole install
- Detents in open and closed position

Material and Finish

Zinc alloy and steel, zinc plated

Performance Details

Maximum static load:
 Short cam 400 N (90 lbf)
 Long cam 200 N (45 lbf)

Installation Notes

Screw and lockwasher assembly M4 x 10 (supplied).
 For door thickness > 3.0 (.12), calculate screw length using the following formula:
 Door thickness + 7.00 (.28)

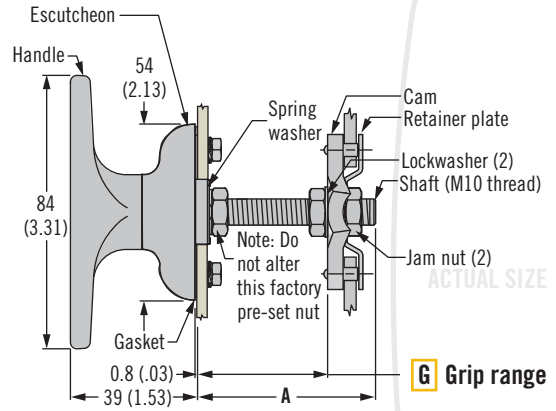
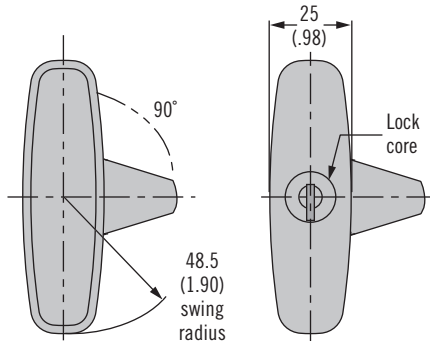
Keys

See page 130

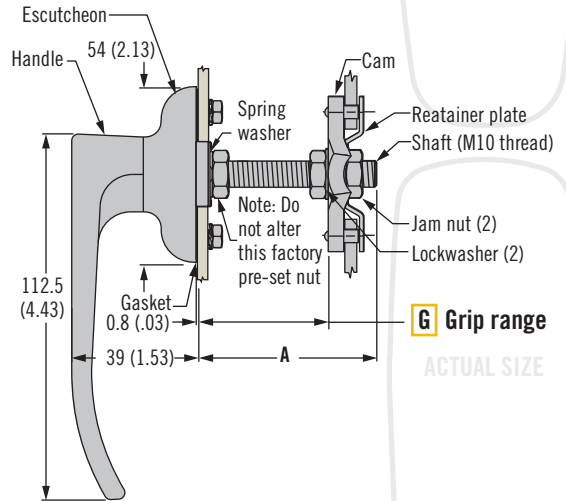
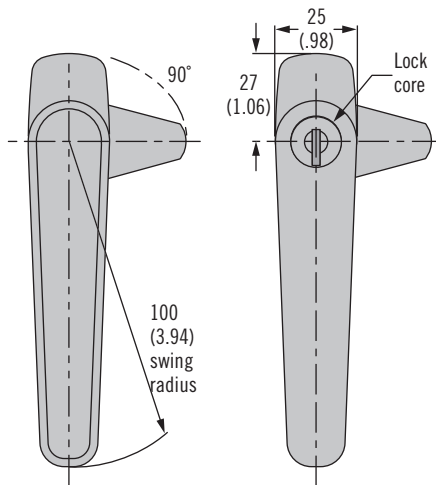
Notes

For fixed grip versions see page 124
 For version with 8 (.32) square shaft see page 143

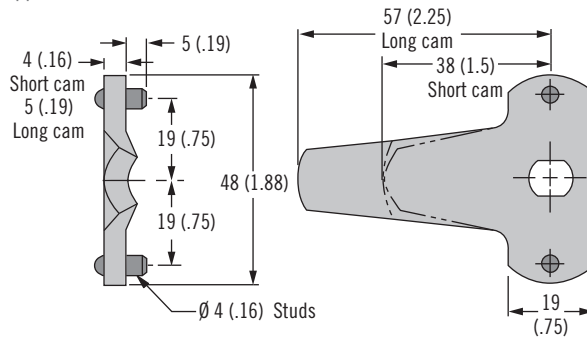
T-Handle



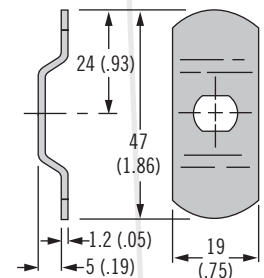
L-Handle

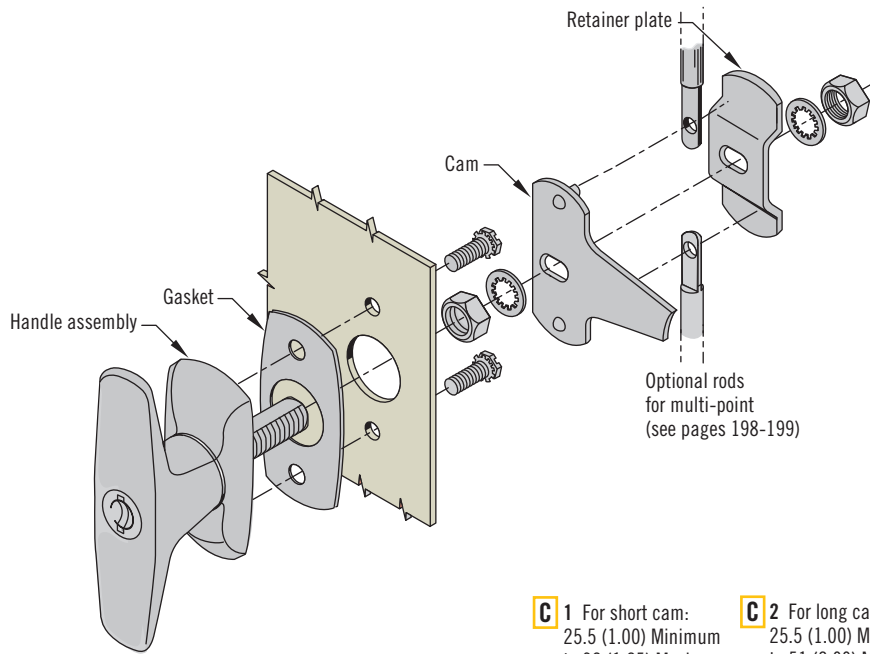


Cam (supplied)

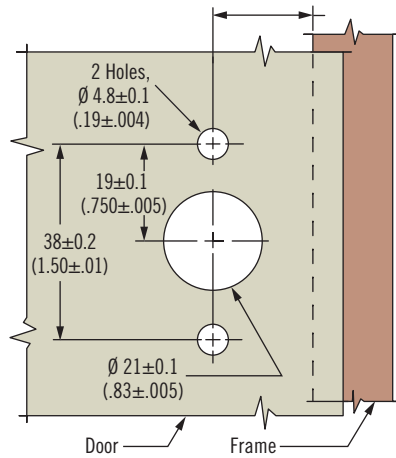
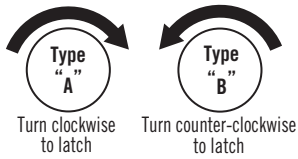


Retainer Plate (supplied)





- C 1** For short cam: 25.5 (1.00) Minimum to 32 (1.25) Maximum
- C 2** For long cam: 25.5 (1.00) Minimum to 51 (2.00) Maximum



Part Number Selection
See table

R Rotation

- 1 Type A clockwise to latch
- 2 Type B counter-clockwise to latch

L Lock style

- 1 T-handle non-locking
- 2 T-handle key-locking CH751 (two keys supplied)
- 3 L-handle non-locking
- 4 L-handle key-locking CH751 (two keys supplied)

F Finish

- 1 Bright chrome
- 5 Black powder coated

C Cam

- 1 Short 38 (1.5)
- 2 Long 57 (2.25)

G Grip

Grip	Minimum	Maximum	A
1		19 (.75)	32 (1.25)
2	16 (.63)	32 (1.25)	44.5 (1.75)
3		44.5 (1.75)	57.5 (2.25)

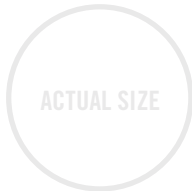
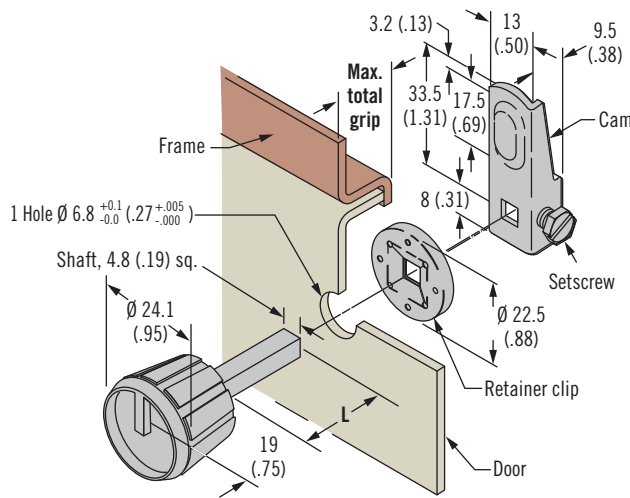
92 - L R - F G C



61 Cam Latch

Universal cabinet series · Adjustable grip

Knob Style



- Single hole installation
- Accommodates wide grip ranges

Material and Finish

Nylon and steel, zinc plated

Performance Details

Maximum static load: 110 N (25 lbf)

Notes

Knob style shown. Additional L-handle and flush slotted styles available

Maximum Total Grip	Shaft Length L	Assembly Part number
12.5 (.50)	25.5 (1.00)	61-10-102-11
25 (1.00)	38 (1.50)	61-10-104-11
44.5 (1.75)	57 (2.25)	61-10-107-11

Other options available. For complete details on variety, part numbers, installation and specification, go to

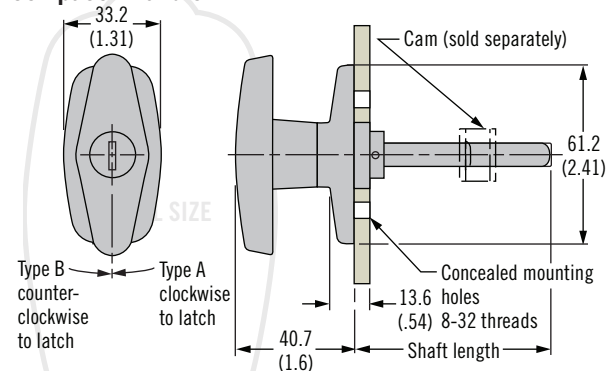
INFO CLIC www.southco.com/61

92 Cam Latch

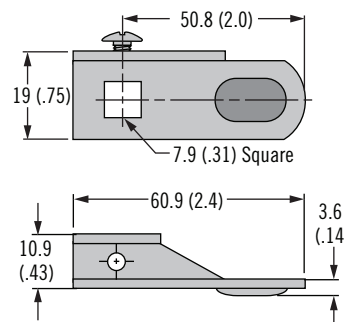
T, Compact-T and L-handle · Adjustable grip



Compact T-handle



Cam



Finish	Shaft Length	Locking Compact-T Part Number	
		Type A	Type B
Black	38.1 (1.5)	92-61-113-50	92-61-213-50
	50.8 (2.0)	92-61-114-50	92-61-214-50
	63.5 (2.5)	92-61-115-50	92-61-215-50

Cam Part Number
92-24-203-12

Compact T-handle style shown. T and L-handle style available. Locking and non-locking.

- Easy cam adjustments

Material and Finish

Zinc alloy, powder coated or chrome plated and steel, zinc plated

Performance Details

Maximum static load: 150 N (34 lbf)

Notes

Black and chrome finish available
For versions with threaded shaft see page 134.

For fixed grip versions see page 124.

Gasket Part Number: 92-70-G (sold separately)

Other options available. For complete details on variety, part numbers, installation and specification, go to

INFO CLIC www.southco.com/92