

NOTES:

A. MATERIAL AND FINISH:

- HANDLE AND ESCUTCHEON: DIE CAST ZINC, CHROME PLATE OR BLACK POWDER COATING
- SHAFT AND STOP DISK: LOW CARBON STEEL, NICKEL PLATED.
- ROLL PIN, RETAINING CLIP AND WAVE WASHER: SPRING STEEL, NICKEL PLATED
- LOCK SLIDE: DIE CAST ZINC, NATURAL
- LOCK PLUG: DIE CAST ZINC, CHROMATE DIP
- WAFERS: BRASS

B. COSMETIC SPECIFICATION: ALL SURFACES UNLESS OTHERWISE NOTED ARE TO CONFORM TO A CLASS "C" DESIGNATION AS DESCRIBED IN SOUTHCO COSMETIC SPECIFICATIONS:
S-121-01 - FOR CHROME PLATING AND S-121-03 FOR POWDER COATING.

C. FLANGE GASKET AVAILABLE (SOLD SEPARATELY): 92-50-G

southco

PROPRIETARY ITEM - EXCEPT FOR USES EXPRESSLY GRANTED IN WRITING INFORMATION DISCLOSED HEREON IS CONFIDENTIAL AND ALL RIGHTS PATENT AND OTHERWISE ARE RESERVED BY SOUTHCO, INC.

No. 92 "T" HANDLE ASSEMBLY

DATE	DRAWN	CHKD	SCALE
21DEC2004	RLR	MDY	1:1

DRAWING NUMBER
J-92-50-1

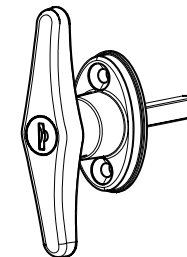
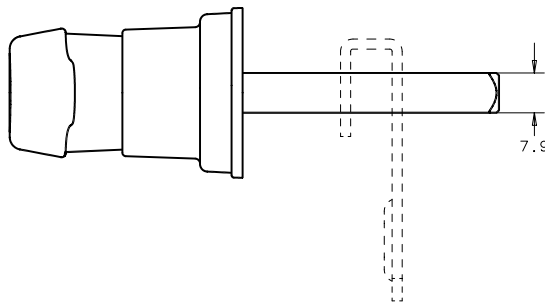
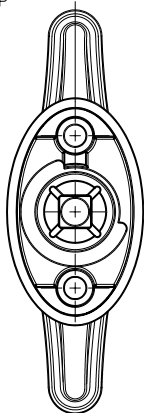
REV	DATE	DRAWN/CHKD	DESCRIPTION
A	29MAR2005	RLR/AJH	PRN: P2005-0385
B	22JUN2005	MDY/AJH	PRN: P2005-0760
C	27JUN2005	VNI/RLR	PRN: P2005-0786
D	07JUL2005	AAB/RLR	PRN: P2005-0843
E	08AUG2005	CSC/MDY	PRN: P2005-1020

	SHAFT LENGTH	LOCKING		NON-LOCKING	
		TYPE A	TYPE B	TYPE A	TYPE B
CHROME	19.8 [.78]	92-50-111-10	92-50-221-10	92-50-101-10	92-50-201-10
	25.4 [1.00]	92-50-112-10	92-50-212-10	92-50-102-10	92-50-202-10
	38.1 [1.50]	92-50-113-10	92-50-213-10	92-50-103-10	92-50-203-10
	50.8 [2.00]	92-50-114-10	92-50-214-10	92-50-104-10	92-50-204-10
	63.5 [2.50]	92-50-115-10	92-50-215-10	92-50-105-10	92-50-205-10
BLACK	19.8 [.78]	92-50-111-50	92-50-221-50	92-50-101-50	92-50-201-50
	25.4 [1.00]	92-50-112-50	92-50-212-50	92-50-102-50	92-50-202-50
	38.1 [1.50]	92-50-113-50	92-50-213-50	92-50-103-50	92-50-203-50
	50.8 [2.00]	92-50-114-50	92-50-214-50	92-50-104-50	92-50-204-50
	63.5 [2.50]	92-50-115-50	92-50-215-50	92-50-105-50	92-50-205-50

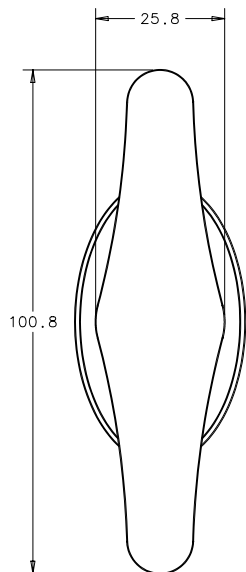
MILLIMETERS

ALL DIMENSIONS WITHOUT TOLERANCES ARE FOR REFERENCE ONLY.

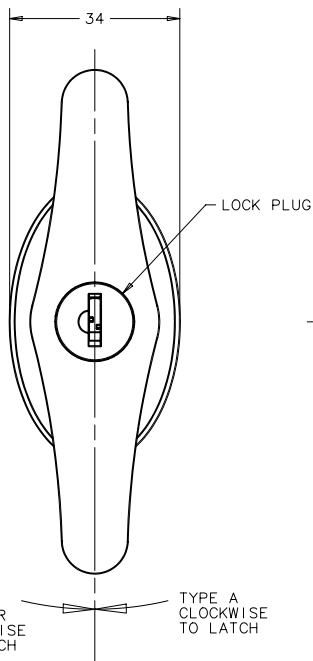
THIRD ANGLE PROJECTION
A3 PAPER SIZE



SCALE 0.5:1



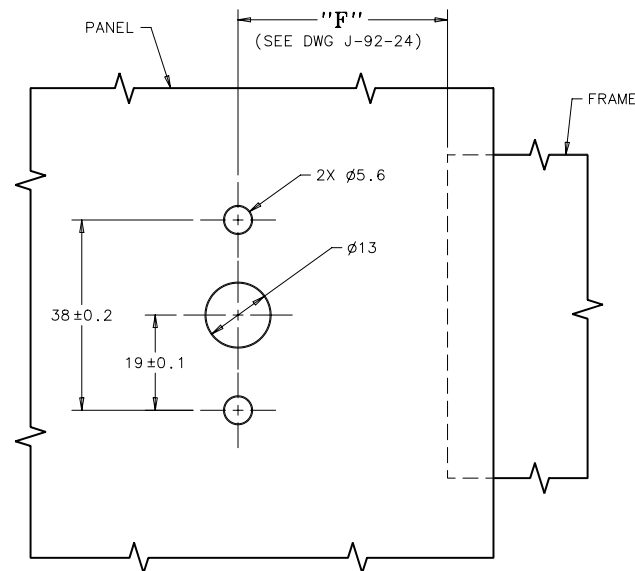
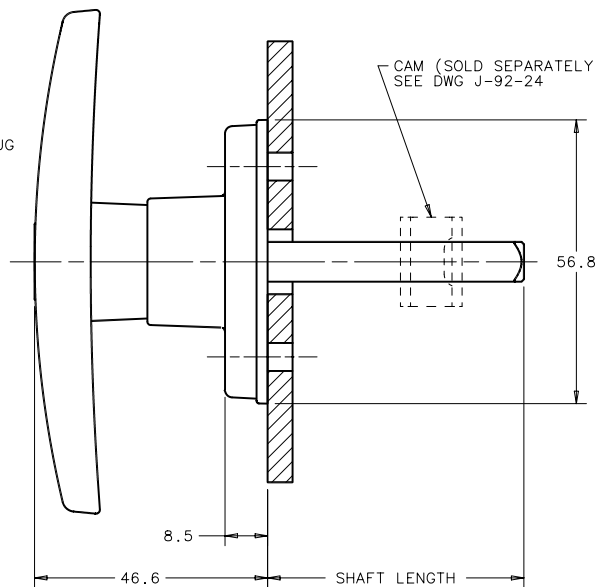
NON-LOCKING



LOCKING

TYPE B
COUNTER
CLOCKWISE
TO LATCH

TYPE A
CLOCKWISE
TO LATCH



PANEL PREPARATION