



91 Draw Latch

Under-center · Adjustable

- Adjustable grip
- Kick out feature disengages from keeper
- Secondary catch option to prevent accidental opening

Material and Finish

Stainless steel or steel, zinc plated

Performance Details

Maximum working load:

With 91-600 keeper:
1325 N (300 lbf)

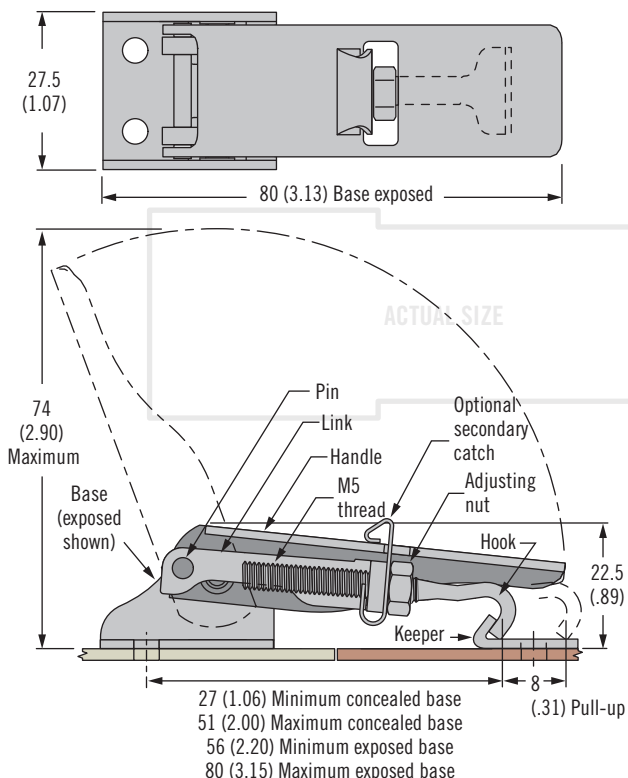
With K4-2338 keeper:
1550 N (350 lbf)

Installation Notes

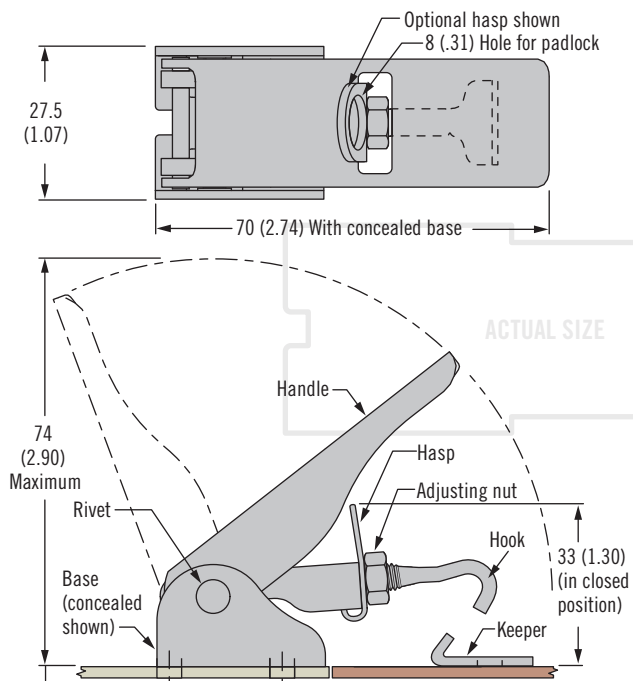
M4 (No. 8) screws (not supplied)

Latch

Exposed Base (Secondary catch option shown)



Concealed Base (Hasp option shown)



Other options available. For complete details on variety, part numbers, installation and specification, go to

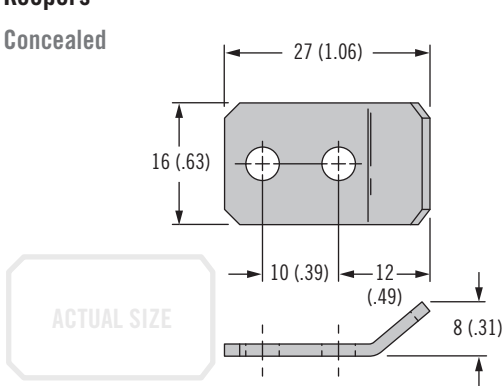


www.southco.com/91

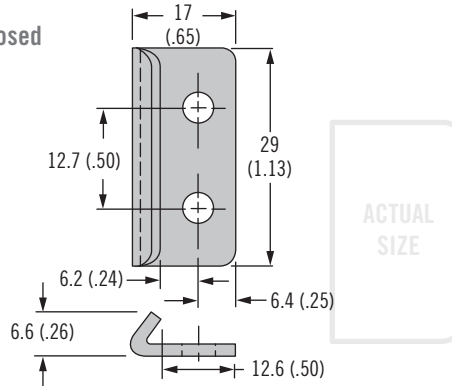
Dimensions in millimeters (inch) unless otherwise stated

Keepers

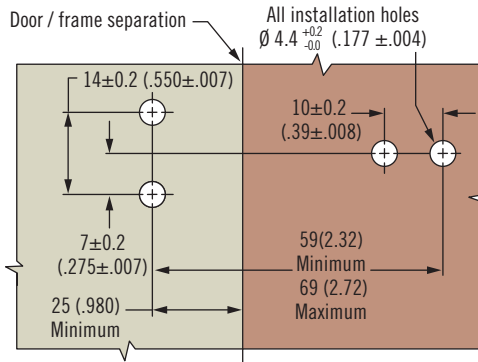
Concealed



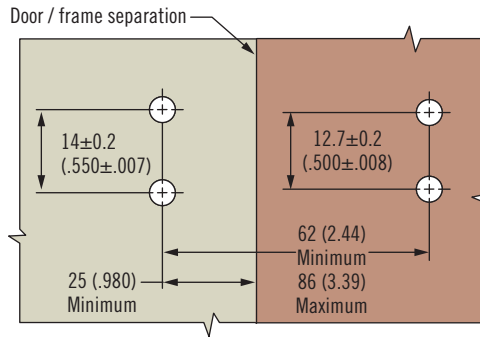
Exposed



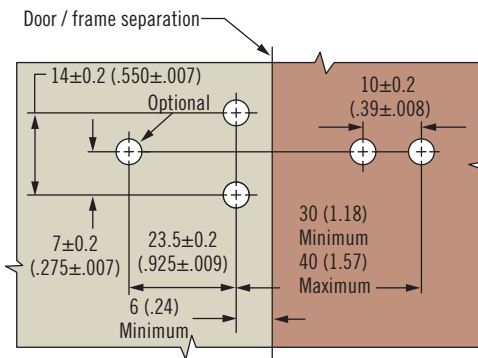
Exposed Base and Concealed Keeper



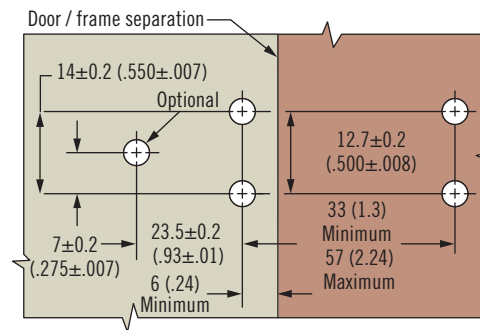
Exposed Base and Exposed Keeper



Concealed Base and Concealed Keeper



Concealed Base and Exposed Keeper



B Base type

- 1 Concealed
- 2 Concealed with secondary catch
- 3 Concealed with padlock hasp
- 5 Exposed
- 6 Exposed with secondary catch
- 7 Exposed with padlock hasp

F Finish

- 07 Steel, zinc plated
- 52 Stainless steel

91 - 5 **B** 2 - **F**

Finish	Keeper Part Number	
	Concealed	Exposed
Steel	91-600-07	K4-2338-07
Stainless Steel	91-600-52	K4-2338-52
Stainless Steel, Black	91-600-63	K4-2338-63

Part Number Selection

Order latch and keeper separately
 For latch part number see builder
 For keeper part number see table





91 Draw Latch

Under-center · Adjustable

- Adjustable grip
- Secondary catch option to prevent accidental opening

Material and Finish

Stainless steel or steel, zinc plated

Performance Details

Maximum working load

Stainless steel: 710 N (160 lbf)

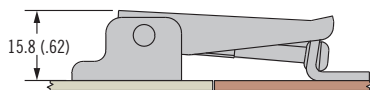
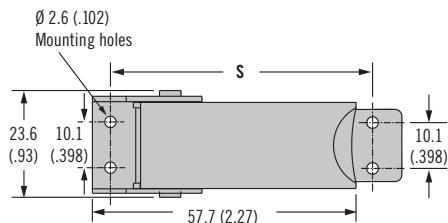
Steel, zinc plated: 1200 N (270 lbf)

Installation Notes

Ø 2.5 (No. 3) screws (not supplied)

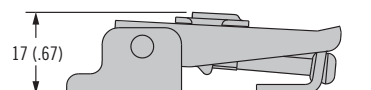
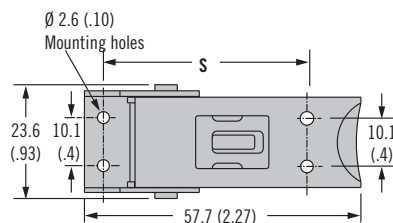
Latch

Standard



Latch shown with 91-630-XX exposed keeper

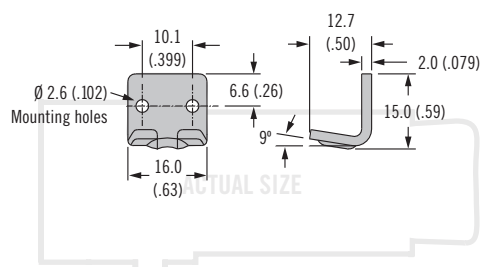
Secondary Catch



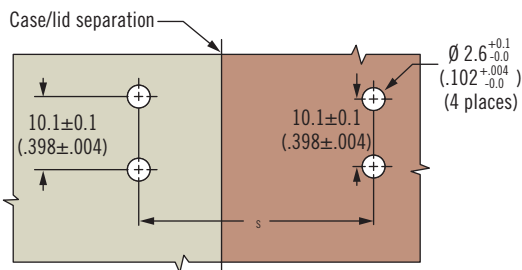
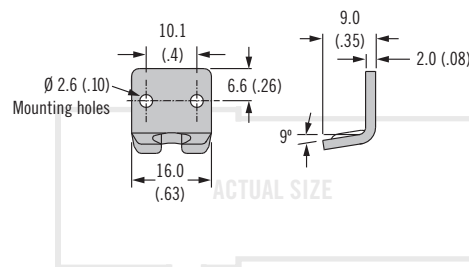
Latch shown with 91-634-XX concealed keeper

Keeper

Exposed



Concealed



Part Number

See table

Order latch and keeper separately

Material	Latch Part Number	
	Standard	Secondary Catch
Steel	91-351-07	91-361-07
Stainless Steel	91-351-52	91-361-52

S	Keeper Type	Steel	Stainless Steel
		39 - 47 (1.53 - 1.85)	Concealed
52 - 60 (2.04 - 2.36)	Exposed	91-630-07	91-630-52

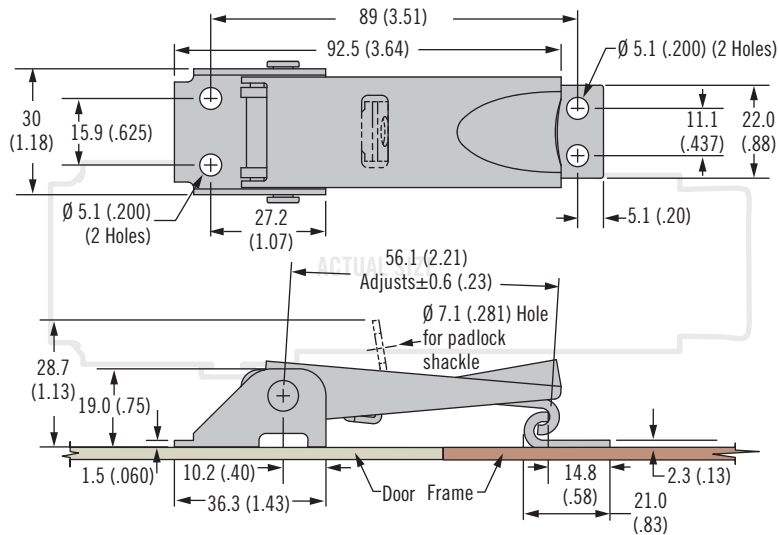
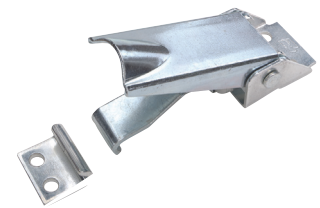
Other options available. For complete details on variety, part numbers, installation and specification, go to

INFO CLIC www.southco.com/91

Dimensions in millimeters (inch) unless otherwise stated

91 Draw Latch

Under-center · Adjustable



Type	Part Number	
	Steel	Stainless Steel
Standard Latch	91-752-07	91-752-52
Latch with Padlock Hasp	91-772-07	91-772-52

• Adjustable grip

Material and Finish

Stainless steel or steel, zinc plated

Performance Details

Maximum working load:
2670 N (600 lbf)

Installation Notes

M5 (No. 10) screws (not supplied)

Part Number

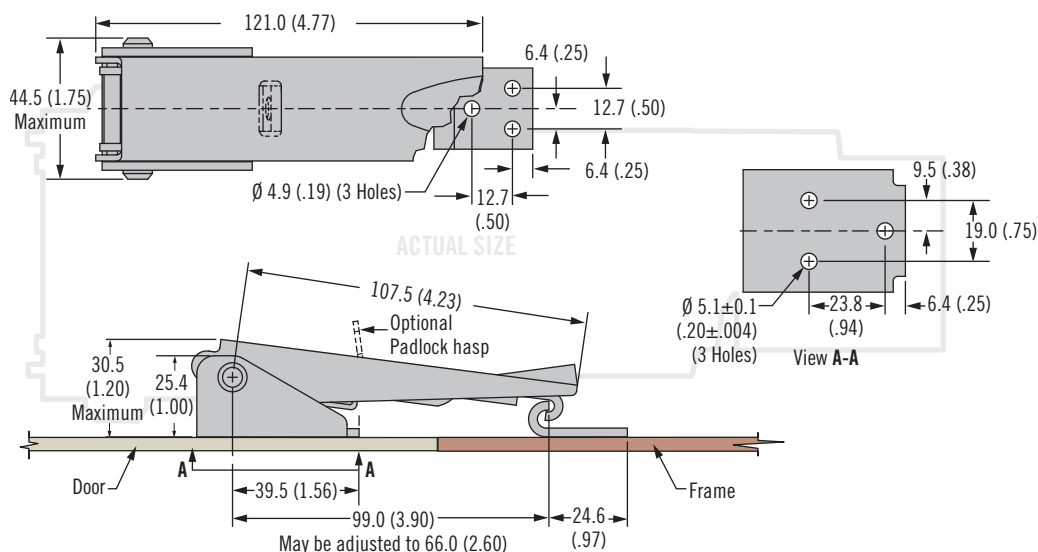
See table

Assembly complete with keeper



91 Draw Latch

Under-center · Adjustable



Type	Part Number
Standard Latch	91-812-52
Latch with Padlock Hasp	91-832-52

• Adjustable grip

Material and Finish

Stainless steel

Performance Details

Maximum working load:
3560 N (800 lbf)

Installation Notes

Install assembly with M4 (No. 10) screws (not supplied)

Part Number

See table

Assembly complete with keeper





91 Draw Latch

Under-center · Large · Adjustable

• **Adjustable grip**

Material and Finish

Stainless steel or steel, zinc plated

Performance Details

Max. working load: 2670 N (600 lbf)

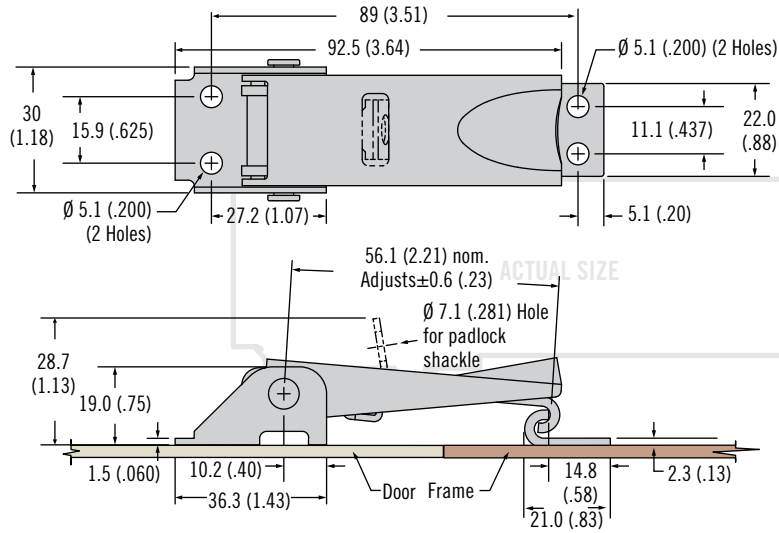
Installation Notes

M5 (No. 10) screws (not supplied)

Part Number

See table

Assembly complete with keeper



Other options available. For complete details on variety, part numbers, installation and specification, go to

INFO CLIC www.southco.com/91

Type	Part Number	
	Steel	Stainless Steel
Standard Latch	91-752-07	91-752-52
Latch with Padlock Hasp	91-772-07	91-772-52



91 Draw Latch

Under-center · Heavy-duty · Adjustable

• **Adjustable grip**

Material and Finish

Stainless steel or steel, zinc plated

Performance Details

Max. working load:

Steel: 2670 N (600 lbf)

Stainless steel: 2000 N (450 lbf)

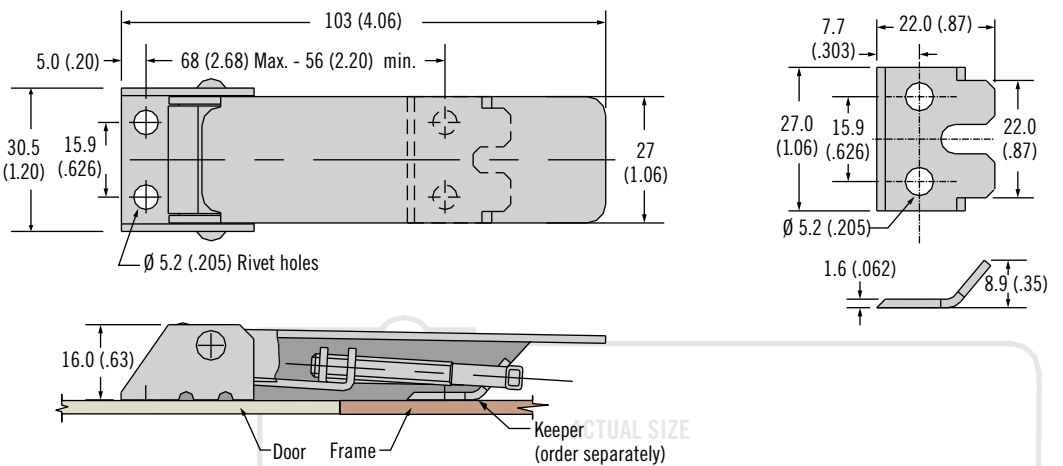
Installation Notes

M5 (No. 10) screws (not supplied)

Part Number

See table

Order latch and keeper separately



Type	Part Number	
	Steel	Stainless Steel
Latch	91-751-07	91-751-52
Keeper	91-674-07	91-674-52

Other options available. For complete details on variety, part numbers, installation and specification, go to

INFO CLIC www.southco.com/91

Dimensions in millimeters (inch) unless otherwise stated