

NOTES:

- A. USE M4 HARDWARE FOR MOUNTING.
- B. BEFORE CHANGING GRIP RANGE LOOSEN ADJUSTING NUT.
- C. THREAD SIZE OF HOOK IS M5.



PROPRIETARY ITEM - EXCEPT FOR USES EXPRESSLY GRANTED IN WRITING INFORMATION DISCLOSED HEREON IS CONFIDENTIAL AND ALL RIGHTS PATENT AND OTHERWISE ARE RESERVED BY SOUTHCO, INC.

No. 91 UNDER CENTER DRAW LATCH
CONCEALED HOOK STYLE KEEPER

DATE	DRAWN	CHKD	SCALE	DRAWING NUMBER
15AUG1994	BMC		1:1	J-91-1

REV	DATE	DRAWN/CHKD	DESCRIPTION	PART NUMBER
I	16APR2007	BWR/MDY	PRN: P2007-0521	91-5X2-YY
J	21MAR2012	ACH/SMM	PRN: P2012-0385	
K	02APR2014	CMS/MGG	PRN: P2014-0655	

MILLIMETERS

ALL DIMENSIONS WITHOUT TOLERANCES ARE FOR REFERENCE ONLY.



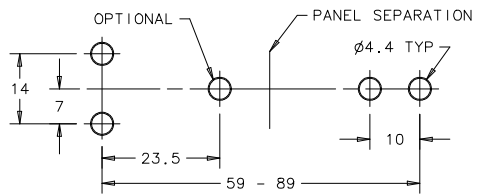
X= BASE

- 1: CONCEALED
- 2: CONCEALED, SECONDARY CATCH
- 3: CONCEALED, PADLOCK HASP
- 5: EXPOSED
- 6: EXPOSED, SECONDARY CATCH
- 7: EXPOSED, PADLOCK HASP

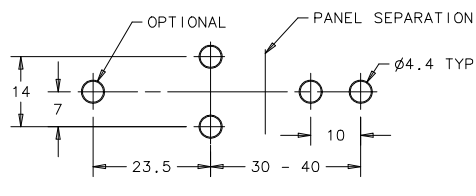
YY= MATERIAL AND FINISH

- 07: STEEL, ZINC PLATE BRIGHT
- 25: STAINLESS STEEL, BLACK E-COAT AND POWDER (HOOK AND NUT: STAINLESS STEEL, BLACK OXIDE)
- 52: STAINLESS STEEL, PASSIVATED
- 63: STAINLESS STEEL, BLACK OXIDE

PANEL PREPARATION



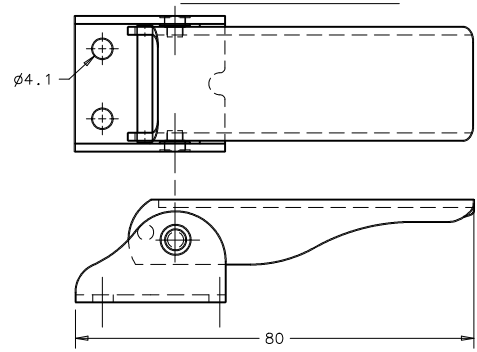
EXPOSED BASE PANEL PREPARATION



CONCEALED BASE PANEL PREPARATION

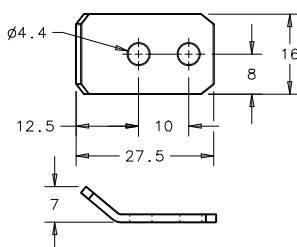
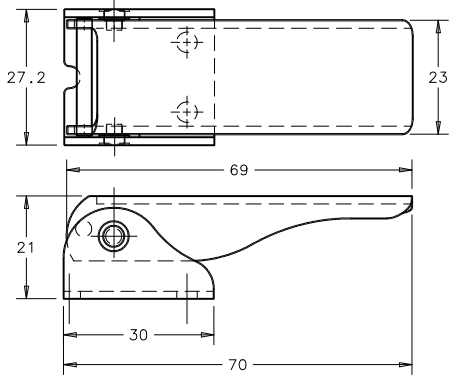
KEEPER PART NUMBER	
FINISH	HOOK STYLE KEEPER (CONCEALED)
STEEL, ZINC PLATE BRIGHT	91-600-07
STAINLESS STEEL, PASSIVATED	91-600-52
STAINLESS STEEL, BLACK OXIDE	91-600-63

EXPOSED BASE

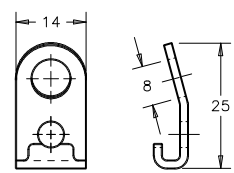


KEEPER

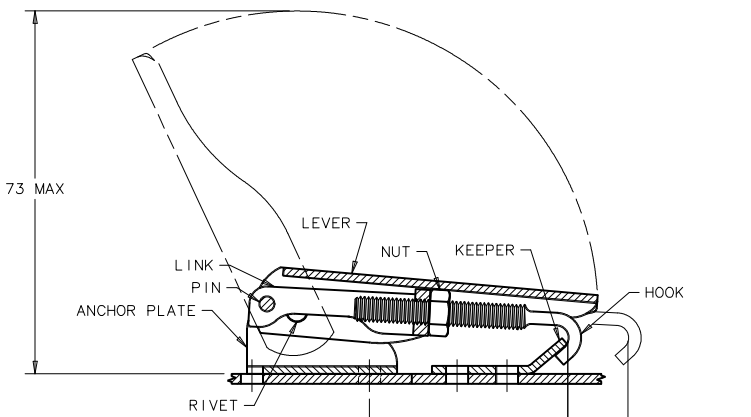
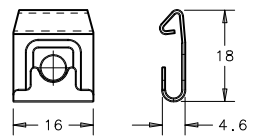
CONCEALED BASE



PAD-LOCKABLE HASP



SECONDARY CATCH



28 - 52 CONCEALED BASE
52 - 76 EXPOSED BASE
10 PULL-UP