

southco®

PROPRIETARY ITEM - EXCEPT FOR USES EXPRESSLY GRANTED IN WRITING INFORMATION DISCLOSED HEREON IS CONFIDENTIAL AND ALL RIGHTS PATENT AND OTHERWISE ARE RESERVED BY SOUTHCO, INC.

SOUTHCO No. 85 FASTENER SIDE MOUNT ASSEMBLY- RIVET TYPE

DATE
6-3-58

DRAWN
ESK

CHKD
ASK

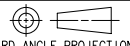
SCALE
2:1


DRAWING NUMBER
J-85-22

REV	DATE	DRAWN/CHKD	DESCRIPTION	ITEM	PART NUMBER	MATERIAL	FINISH
K	07SEP1993	MPF//	PRN:S-99-11.1	ASSEMBLY	85-45-101-15	-	-
L	09DEC1996	JAC//	PRN:S-1-06A	BRACKET	-	1010 STEEL	SEE NOTE "A"
M	05MAY1998	IJO//	PRN:85-296	RECEPTACLE	-	SEE NOTE "B"	ZINC FLAKE COATING
N	14JUL2005	BRP/RLR	PRN: P2005-0743	RIVETS	-	ALUMINIUM	NATURAL

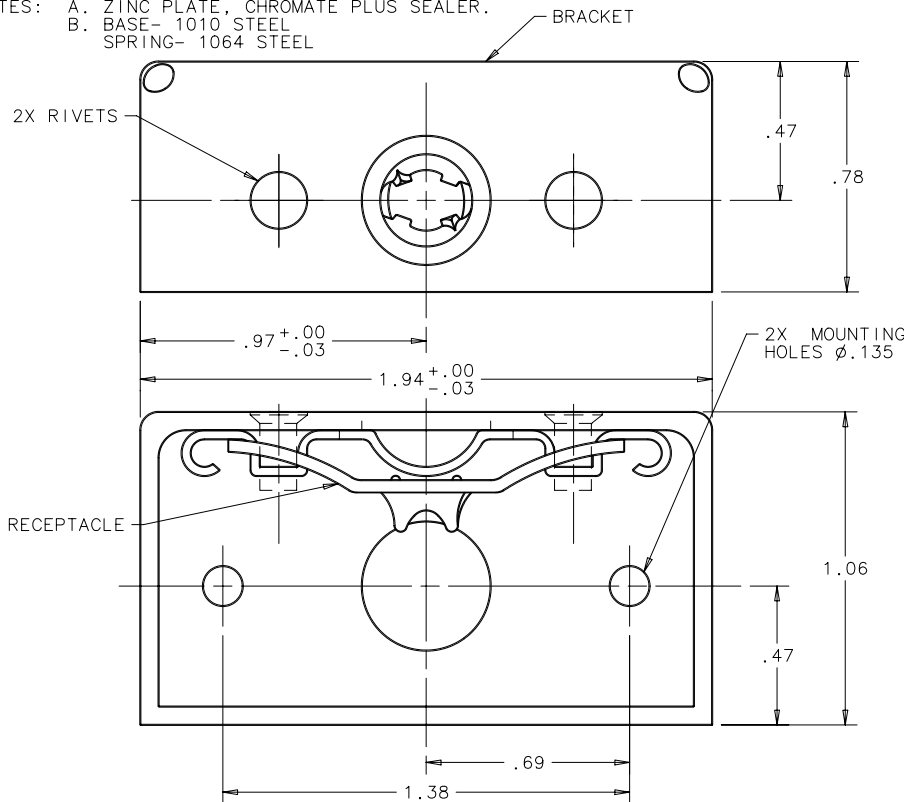
INCHES

ALL DIMENSIONS WITHOUT TOLERANCES ARE FOR REFERENCE ONLY.

 THIRD ANGLE PROJECTION

 A PAPER SIZE

- NOTES: A. ZINC PLATE, CHROMATE PLUS SEALER.
B. BASE- 1010 STEEL
SPRING- 1064 STEEL



TO SELECT PROPER STUD LENGTH

TO SELECT PROPER STUD LENGTHH (GRIP) ADD THICKNESS OF OUTER SHEET (A) AND ANY GAP (B) THAT MIGHT EXIST BETWEEN TOP SURFACE OF SIDE MOUNT AND UPPER SIDE OF OUTER PANEL PLUS .060 (THICKNESS OF SIDE MOUNT). THIS TOTAL EQUALS GRIP OF STUD REQUIRED.

