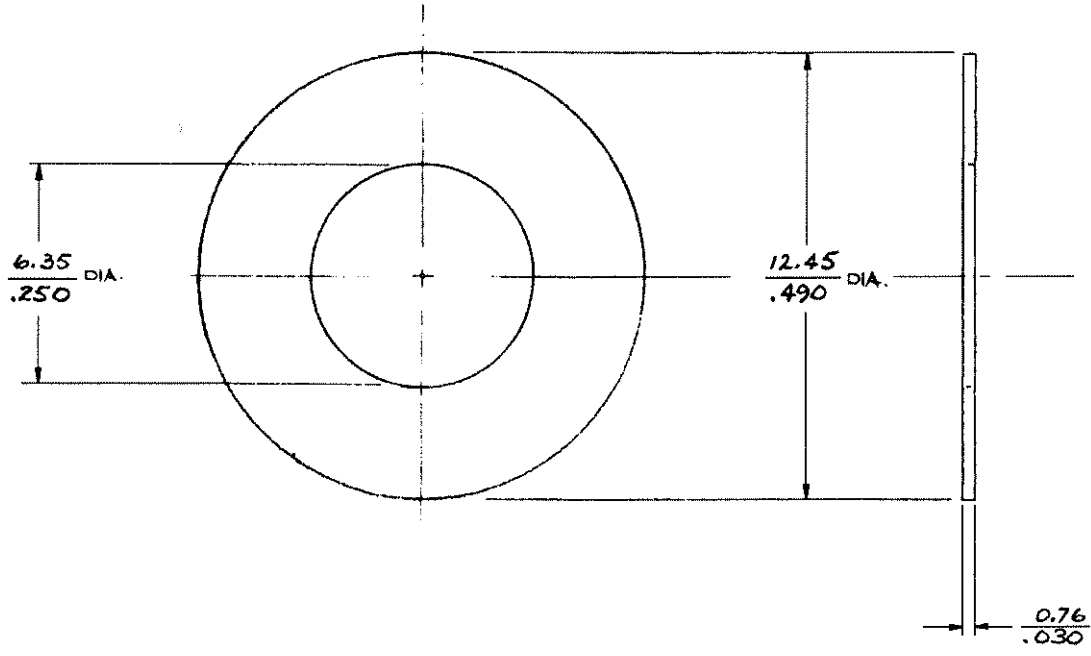




RETAINER

DATE	DRAWN	CHKD	SCALE	DRAWING NUMBER
10-8-79	ESK		N.T.S.	J-85-34-301

REV. LET.	DATE	BY-CHKD	REVISIONS	PART NO	MATERIAL	FINISH
A	2882	NTF	PRN S 1 01	85-34-301-12	THERMOPLASTIC	BLACK
B	12JAN93	JC	PRN: S - 1 - 03			



MILLIMETER/INCH MILLIMETER
INCH

PROPRIETARY ITEM - EXCEPT FOR USES EXPRESSLY GRANTED IN WRITING, INFORMATION DISCLOSED HEREON IS CONFIDENTIAL AND ALL RIGHTS, PATENT AND OTHERWISE, ARE RESERVED BY SOUTHCO, INC.

TOLERANCE UNLESS OTHERWISE NOTED
 METRIC MM - TWO PLACE (.XX) ± ONE PLACE (.X) ±
 INCH - DECIMALS ± FRACTIONS ± ANGLES ±

DRAWING NUMBER
J-85-34-301