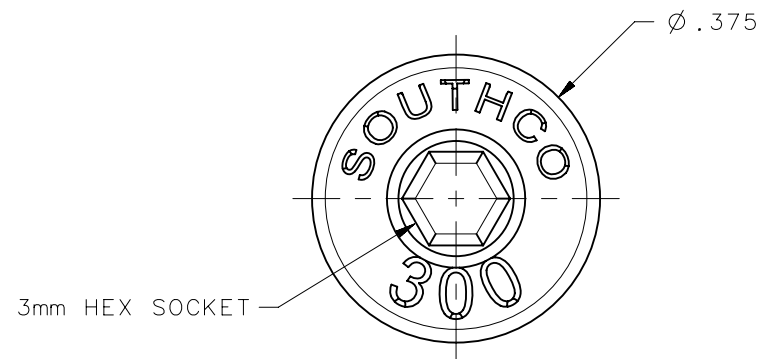
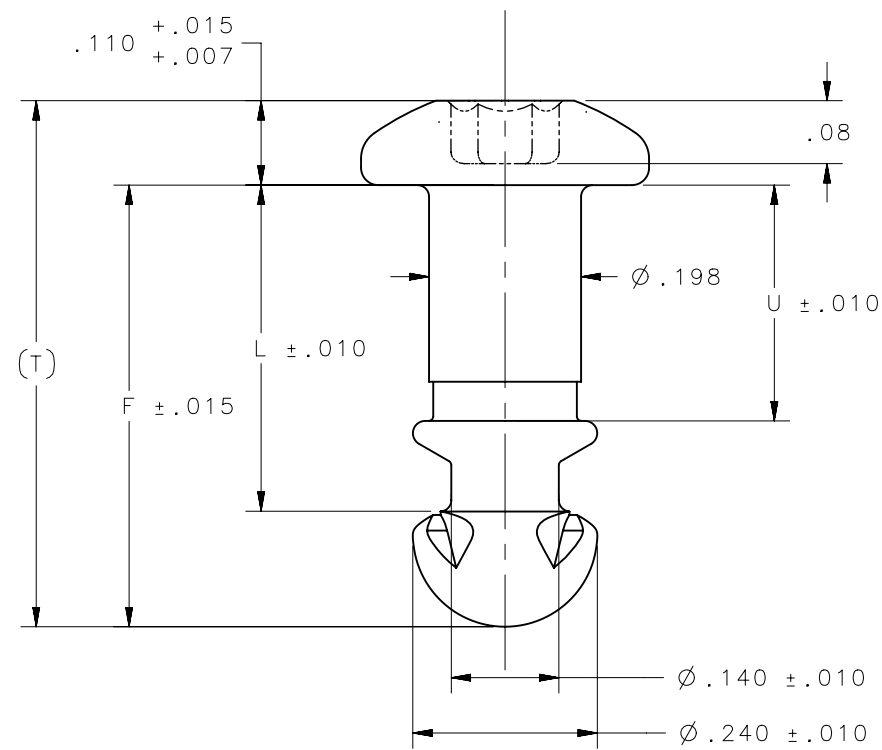


REVISION HISTORY			
REV	DATE	BY	DESCRIPTION
1	22SEP2015	CMS/NJF	PRN: P2015-1916



SCALE 2:1



SOUTHCO PART NUMBER	U	L	F	T
82-78-040-XX	.067	.185	.335	.445
82-78-060-XX	.087	.205	.355	.465
82-78-080-XX	.107	.225	.375	.485
82-78-100-XX	.127	.245	.395	.505
82-78-120-XX	.147	.265	.415	.525
82-78-140-XX	.167	.285	.435	.545
82-78-160-XX	.187	.305	.455	.565
82-78-180-XX	.207	.325	.475	.585
82-78-200-XX	.227	.345	.495	.605
82-78-220-XX	.247	.365	.515	.625
82-78-240-XX	.267	.385	.535	.645
82-78-260-XX	.287	.405	.555	.665
82-78-280-XX	.307	.425	.575	.685
82-78-300-XX	.327	.445	.595	.705
82-78-320-XX	.347	.465	.615	.725
82-78-340-XX	.367	.485	.635	.745
82-78-360-XX	.387	.505	.655	.765
82-78-380-XX	.407	.525	.675	.785
82-78-400-XX	.427	.545	.695	.805
82-78-420-XX	.447	.565	.715	.825
82-78-440-XX	.467	.585	.735	.845
82-78-460-XX	.487	.605	.755	.865
82-78-480-XX	.507	.625	.775	.885
82-78-500-XX	.527	.645	.795	.905

SOUTHCO PART NUMBER	U	L	F	T
82-78-520-XX	.547	.665	.815	.925
82-78-540-XX	.567	.685	.835	.945
82-78-560-XX	.587	.705	.855	.965
82-78-580-XX	.607	.725	.875	.985
82-78-600-XX	.627	.745	.895	1.005
82-78-620-XX	.647	.765	.915	1.025
82-78-640-XX	.667	.785	.935	1.045
82-78-660-XX	.687	.805	.955	1.065
82-78-680-XX	.707	.825	.975	1.085
82-78-700-XX	.727	.845	.995	1.105
82-78-720-XX	.747	.865	1.015	1.125
82-78-740-XX	.767	.885	1.035	1.145
82-78-760-XX	.787	.905	1.055	1.165
82-78-780-XX	.807	.925	1.075	1.185
82-78-800-XX	.827	.945	1.095	1.205
82-78-820-XX	.847	.965	1.115	1.225
82-78-840-XX	.867	.985	1.135	1.245
82-78-860-XX	.887	1.005	1.155	1.265
82-78-880-XX	.907	1.025	1.175	1.285
82-78-900-XX	.927	1.045	1.195	1.305
82-78-920-XX	.947	1.065	1.215	1.325
82-78-940-XX	.967	1.085	1.235	1.345
82-78-960-XX	.987	1.105	1.255	1.365
82-78-980-XX	1.007	1.125	1.275	1.385
82-78-1000-XX	1.027	1.145	1.295	1.405

82-78-YYY-XX	STUD	SEE NOTE 1	SEE NOTE 1
SOUTHCO PART NUMBER	TYPE OF COMPONENT	MATERIAL	FINISH

NOTES:

1. MATERIAL AND FINISH:

- 16 - 1008/1010 STEEL PER ASTM A510, CASE HARDENED, ZINC PLATE, CHROMATE PLUS SEALER
- 20 - 302 HQ STAINLESS STEEL PER ASTM A493, PASSIVATED
- 44 - 302 HQ STAINLESS STEEL PER ASTM A493, BLACK OXIDE
- 52 - 1880/1010 STEEL PER ASTM A510, CASE HARDENED, ZINC PLATE PLUS BLACK ORGANIC COATING.

CAGE CODE 75618	THIRD ANGLE PROJECTION	 CONNECT • CREATE • INNOVATE
	INCHES [MM]	
TOLERANCES UNLESS OTHERWISE NOTED		DESCRIPTION SOUTHCO No. 82 HEX SOCKET OVAL HEAD STUD
ALL DIMENSIONS WITHOUT TOLERANCES ARE FOR REFERENCE ONLY.		SIZE B SYSTEM NX DWG NO. J-82-78-16-1
PER ASME Y14.5M-1994	DRAWN BY SJM	DATE 300CY1981 SCALE 4:1 SHEET 1 OF 1