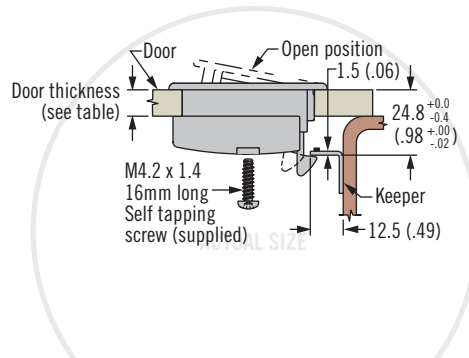
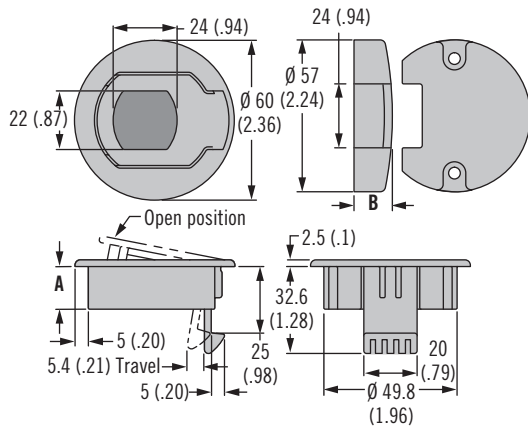


M1 Push-to-Close Latch

Lift-to-open · Flush



Mounting Cup



Door Thickness Range	A	B	Part Number
1 - 7 (.04 - .28)	16 (.63)	20.4 (.80)	M1-81
7 - 13 (.28 - .51)	16 (.63)	14.3 (.57)	M1-82
13 - 19 (.51 - .75)	22 (.87)	14.3 (.57)	M1-83

- Low profile
- Non-corrosive and non-conductive

Material and Finish

Latch: Acetal, black

Mounting hardware: Stainless steel

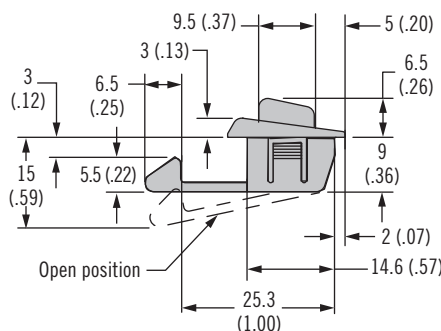
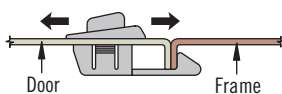
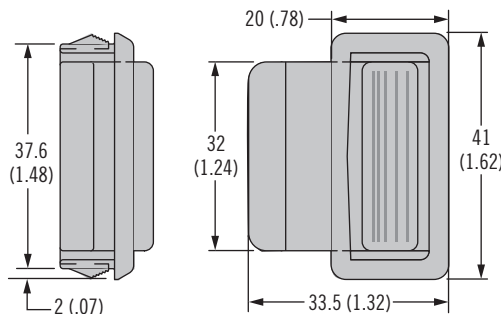
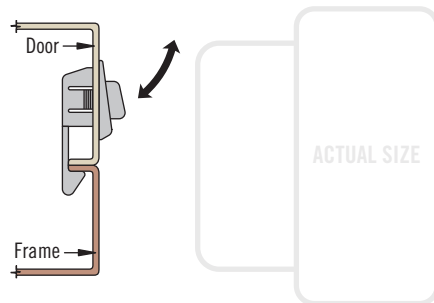
Other options available. For complete details on variety, part numbers, installation and specification, go to



www.southco.com/M1

80 Push-to-Close Latch

Push-to-open · Snap-in



Color	Part Number
White	80-201
Black	80-202

- Snap-in installation
- Non-corrosive and non-conductive
- Suitable for sliding or hinged doors

Material and Finish

Acetal, black or white

Other options available. For complete details on variety, part numbers, installation and specification, go to



www.southco.com/80