

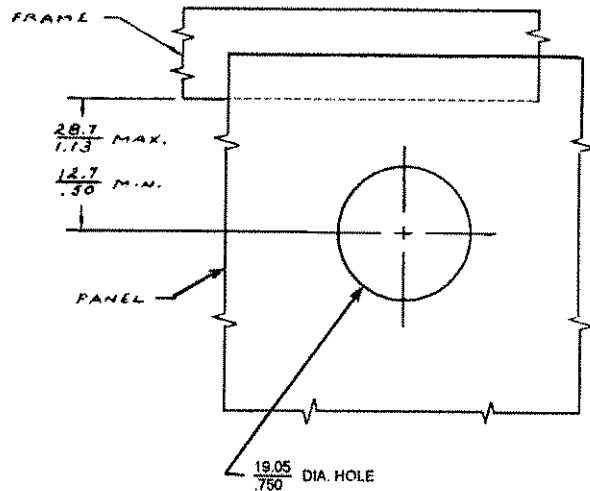
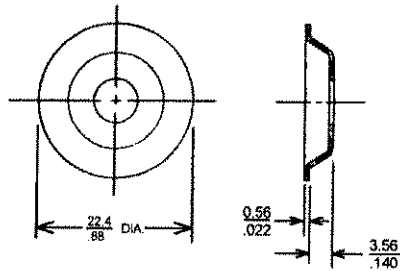


FLUSH MOUNTING CUP FOR SLOTTED & SPANNER
STYLE No. 61 ASSEMBLIES

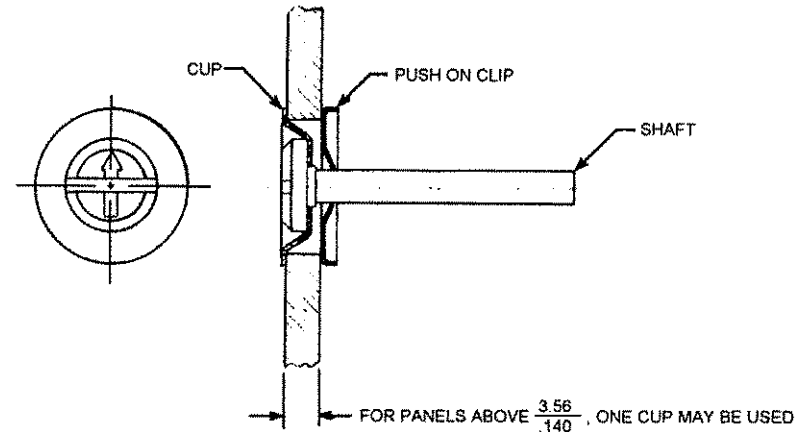
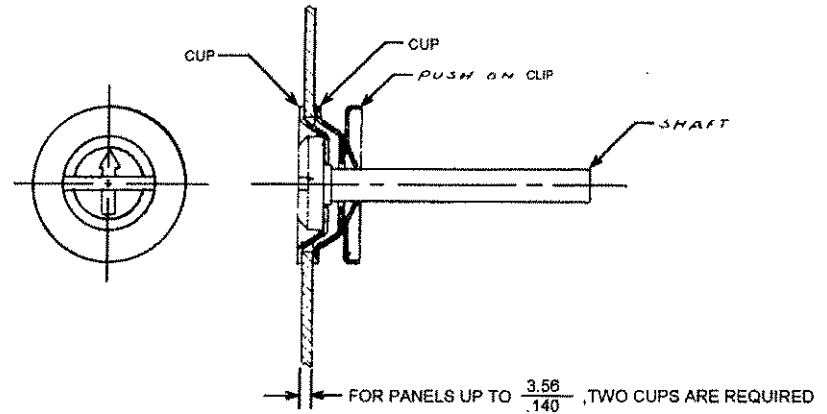
DATE	DRAWN	CHKD	SCALE	DRAWING NUMBER
2-16-84	R.H.B.		N.T.S.	J-61-16-101-14

REV. LET.	DATE	BY	CHKD	REVISIONS
A	1-10-86	RH/4		PRN 61-57
B	9-19-87	RWS		PRN 61-60
C	5 MAR 93	JKR		PRN: S-1-03

CUP, PART No. 61-16-101-14
STEEL, BRIGHT NICKEL PLATED



PANEL PREPARATION



MILLIMETER/INCH
MILLIMETER
INCH

PROPRIETARY ITEM- EXCEPT FOR USES EXPRESSLY GRANTED IN WRITING,
INFORMATION DISCLOSED HEREON IS CONFIDENTIAL AND ALL RIGHTS, PATENT AND
OTHERWISE, ARE RESERVED BY SOUTHCO, INC.

PAT. 4,586,736 ;
UK 2,153,868

DRAWING NUMBER

J-61-16-101-14