

southco

PROPRIETARY ITEM - FOR USES EXPRESSLY
GRANTED IN WRITING INFORMATION DISCLOSED
HEREIN IS CONFIDENTIAL AND ALL RIGHTS PATENT
AND OTHERWISE ARE RESERVED BY SOUTHCO, INC.

No. 61 PANEL LATCH ASSEMBLY
BLACK PLASTIC KNOB - 1 INCH SHAFT

DATE 6-16-70 DRAWN CHKD SCALE J-61-10-102-11
ACZ RHB 2:1

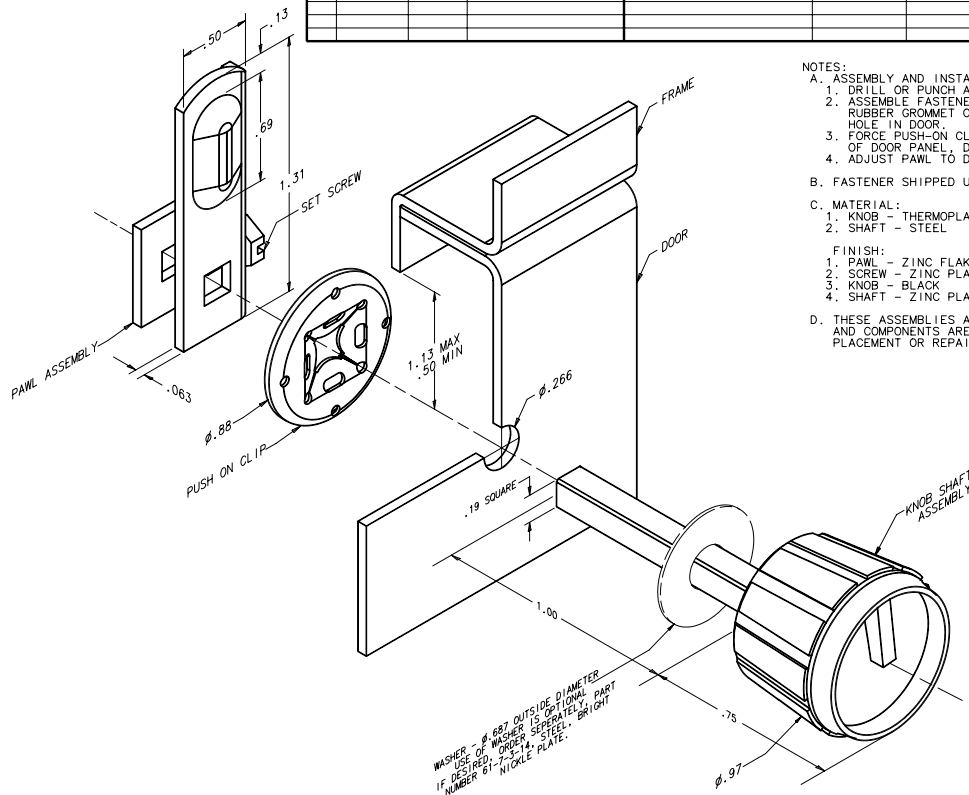
REV	DATE	DRAWN/CHKD	DESCRIPTION	ITEM	PART NUMBER	MATERIAL	FINISH
L	19AUG2005	BRP/RLR	PRN: P2005-0909	ASSEMBLY	61-10-102-11	-	-
				PUSH-ON CLIP	-	STEEL	ZINC FLAKE COATING
				PAWL ASSEMBLY	-	STEEL	SEE NOTE C
				KNOB SHAFT ASSEMBLY	-	SEE NOTE C	SEE NOTE C

INCHES

ALL DIMENSIONS WITHOUT
TOLERANCES ARE FOR
REFERENCE ONLY.



B
PAPER
SIZE



NOTES:

- A. ASSEMBLY AND INSTALLATION INSTRUCTIONS:
1. DRILL OR PUNCH A $\phi .257$ HOLE IN DOOR PANEL, LOCATED AS SHOWN.
 2. ASSEMBLE FASTENER BY SLIPPING THE WASHER, SEALING WASHER AND RUBBER GROMMET OVER SHAFT AND INSERTING THE SHAFT THROUGH HOLE IN DOOR.
 3. FORCE PUSH-ON CLIPS OVER SHAFT AND SEAT FIRMLY AGAINST INSIDE OF DOOR PANEL, DRAWING HEAD UP AS TIGHTLY AS POSSIBLE.
 4. ADJUST PAWL TO DESIRED GRIP BY USE OF SET SCREW.

B. FASTENER SHIPPED UNASSEMBLED.

C. MATERIAL:

1. KNOB - THERMOPLASTIC
2. SHAFT - STEEL

FINISH:

1. PAWL - ZINC FLAKE COATING
2. SCREW - ZINC PLATE CHROMATE DIP
3. KNOB - BLACK
4. SHAFT - ZINC PLATE BRIGHT

- D. THESE ASSEMBLIES ARE NON-REPAIRABLE ITEMS AND COMPONENTS ARE NOT AVAILABLE AS REPLACEMENT OR REPAIR PARTS.