



SOUTHCO No. 58 SCREW FASTENER
1/4-20 & 1/4-28 THREAD - 9/16 DIA. HEAD

DATE	DRAWN	CHKD	SCALE	DRAWING NUMBER
4-23-57	ASK		2:1	J-58-13

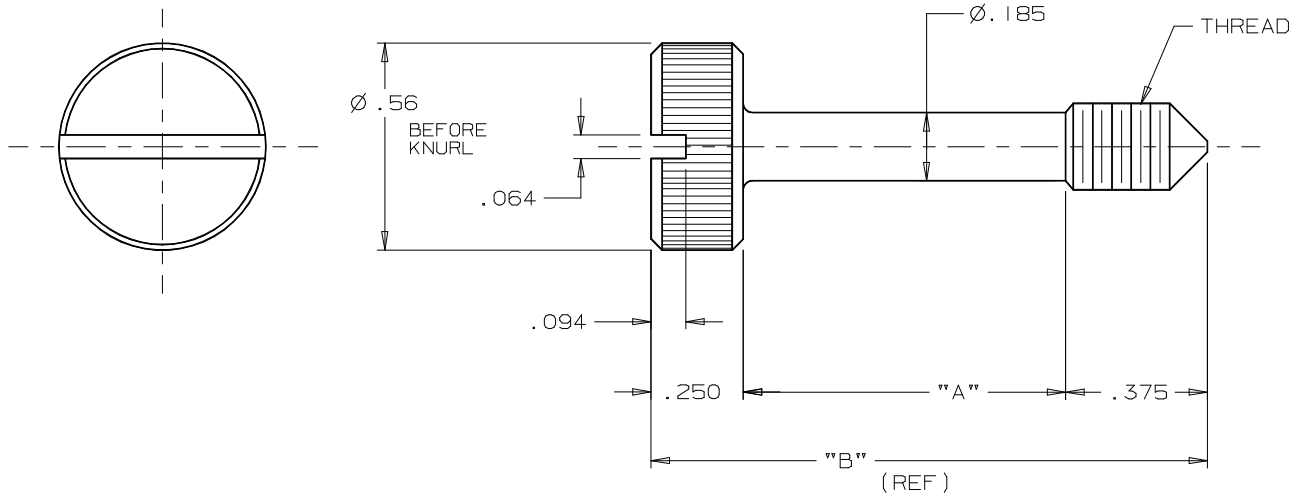
REV.	DATE	BY-CHKD	REVISIONS	PART NUMBERS		"A"	"B"
F	23 JAN 96	JGK	REDRAWN ON CAD, (PRN:58-104A)	1/4-20 THD.	1/4-28 THD.		
				58-21-209-XX	58-24-209-XX	.56	1.19
				58-21-210-XX	58-24-210-XX	.63	1.25
				58-21-211-XX	58-24-211-XX	.69	1.31
				58-21-212-XX	58-24-212-XX	.75	1.38
				58-21-213-XX	58-24-213-XX	.81	1.44
				58-21-214-XX	58-24-214-XX	.88	1.50
				58-21-215-XX	58-24-215-XX	.94	1.56
				58-21-216-XX	58-24-216-XX	1.00	1.63

NOTES

A. FOR AN UNSLOTTED SCREW CHANGE THE THIRD DIGIT OF THE PART No. FROM 2 TO 1. (eg. 58-11-209-XX)

MATERIAL AND FINISH (LAST TWO DIGITS OF PART No.)

- 24: 302 STAINLESS STEEL, PASSIVATED.
- 26: 302 STAINLESS STEEL, PASSIVATED PLUS BLACK ORGANIC COATING.



FORMAT A | MAR 94

PROPRIETARY ITEM - EXCEPT FOR USES EXPRESSLY GRANTED IN WRITING INFORMATION DISCLOSED HEREON IS CONFIDENTIAL AND ALL RIGHTS PATENT AND OTHERWISE ARE RESERVED BY SOUTHCO, INC.

ALL DIMENSIONS WITHOUT TOLERANCES ARE REFERENCE.
DIMENSIONS IN INCHES
THIRD ANGLE PROJECTION

DRAWING NUMBER
J-58-13