

southco®

PROPRIETARY ITEM - EXCEPT FOR USES EXPRESSLY GRANTED IN WRITING INFORMATION DISCLOSED HEREON IS CONFIDENTIAL AND ALL RIGHTS PATENT AND OTHERWISE ARE RESERVED BY SOUTHCO, INC.

No.56 SPRING LOADED PLUNGER ASSEMBLY, PRESS-IN STYLE, WITH LARGE OVERMOLDED KNOB AND STAY-OPEN FEATURE

DATE
22JAN2003

DRAWN
AJH

CHKD
VNI

SCALE
2:1

DRAWING NUMBER
J-56-261

REV	DATE	DRAWN/CHKD	DESCRIPTION	PART NUMBER	KNOB COLOR
A	06FEB2003	RLR/CHW	PRN: P2003-0099	56-261-EEE	SEE NOTE G
B	10APR2003	VN1/MJS	PRN: P2003-0283		
C	08MAY2003	DLH/VNI	PRN: P2003-0348		
D	28MAY2003	DLH/AJH	PRN: P2003-0426		
E	24JUN2003	AJH/MJS	PRN: P2003-0532		
F	23JUL2003	DLH/AJH	PRN: P2003-0611		
G	22DEC2004	VN1/AJH	PRN: P2004-1471		
H	06JUN2012	CMS/CDW	PRN: P2012-0742		

INCHES

ALL DIMENSIONS WITHOUT TOLERANCES ARE FOR REFERENCE ONLY.

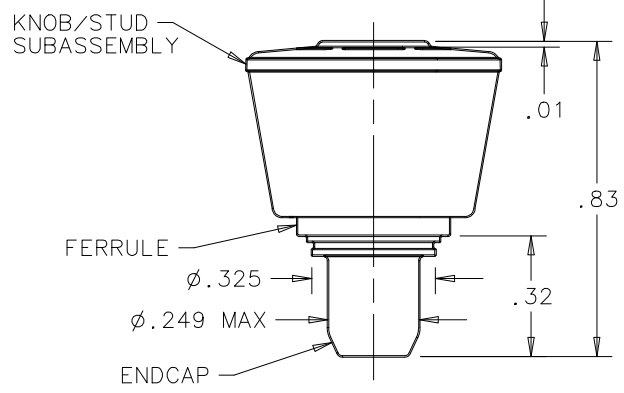
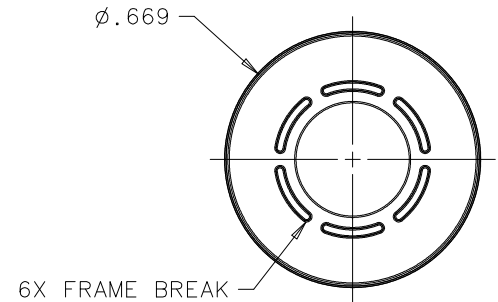
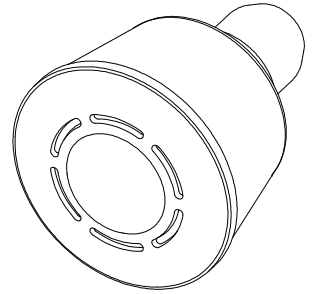
THIRD ANGLE PROJECTION

A PAPER SIZE

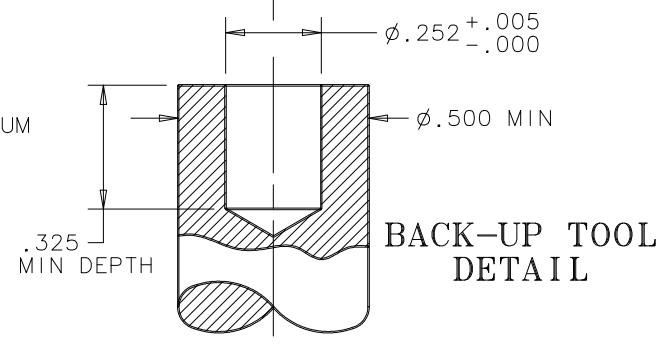
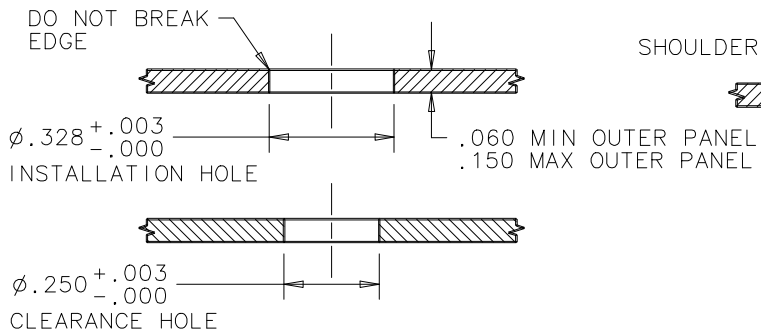
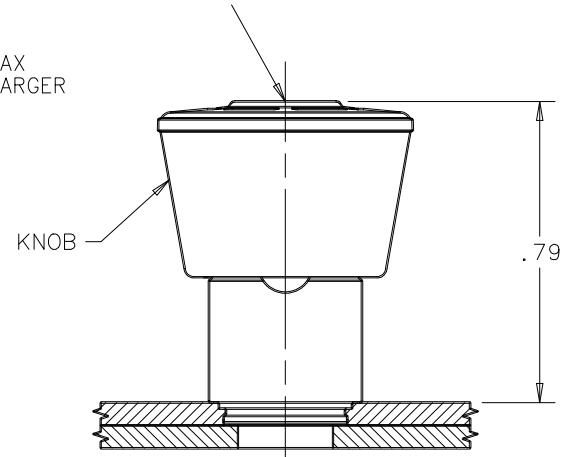
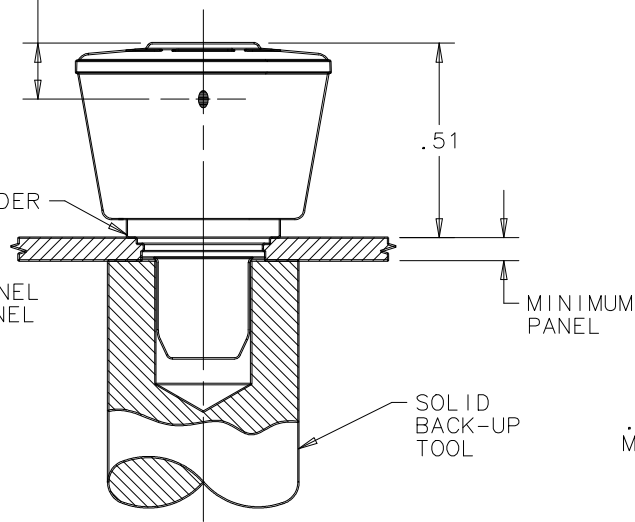
NOTES:

- A. INSTALLATION INSTRUCTIONS:**
1. DRILL OR PUNCH INSTALLATION HOLE.
 2. PLACE FERRULE INTO INSTALLATION HOLE.
 3. PROVIDE SOLID BACK-UP BEHIND HOLE WITH CLEARANCE HOLE FOR STUD.
 4. PRESS ON HEAD OF KNOB/STUD SUBASSEMBLY UNTIL SHOULDER OF FERRULE IS FIRMLY AGAINST OUTER PANEL.
 5. PUNCH CANNOT TOUCH PLASTIC DURING INSTALLATION.
- B. MATERIAL AND FINISH:**
- ENDCAP - STEEL, ZINC PLATE PLUS SEALER
 - SPRING - STAINLESS STEEL, PASSIVATED
 - FERRULE - STEEL, ZINC PLATE PLUS SEALER
 - KNOB - PC/ABS, BLACK
 - STUD - HARDENED STEEL, ZINC PLATE PLUS SEALER
- C. GATE NOT ORIENTED WITH FRAME BREAK.**
- D. FLASH HEIGHT GREATER THAN .012 NOT ACCEPTABLE.**
- E. SURFACE IMPERFECTIONS: INSPECT PARTS FROM 2 FEET FOR 3 SECONDS. FOUR SURFACE IMPERFECTIONS MAX PER PART ALLOWED. SURFACE IMPERFECTIONS TO BE NO LARGER THAN .045 IN DIAMETER, HEIGHT, OR WIDTH.**
- F. PARTS SHIPPED BULK.**
- G. FOR "EEE" KNOB COLOR, SEE J-47-0-3.**

PULL UP ON KNOB TO RETRACT. ROTATE 90° TO KEEP IN RETRACTED POSITION. ANOTHER 90° TURN RETURNS STUD TO NORMAL POSITION.



(.15) GATE LOCATION



PANEL PREPARATION