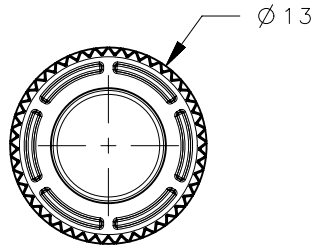
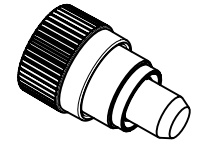


REVISION HISTORY			
REV	DATE	BY	DESCRIPTION
C	03NOV2015	MAL/JQ	PRN: P2015-2208

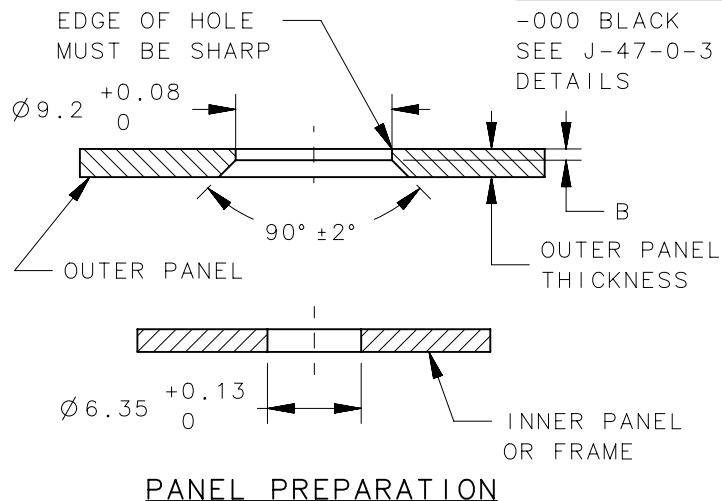
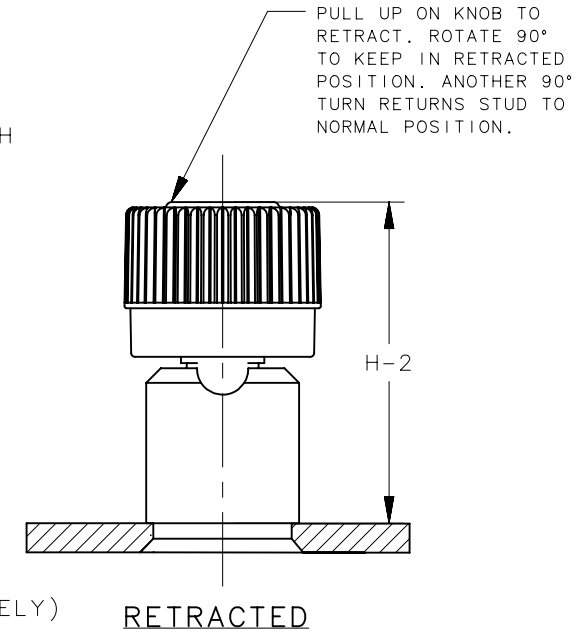
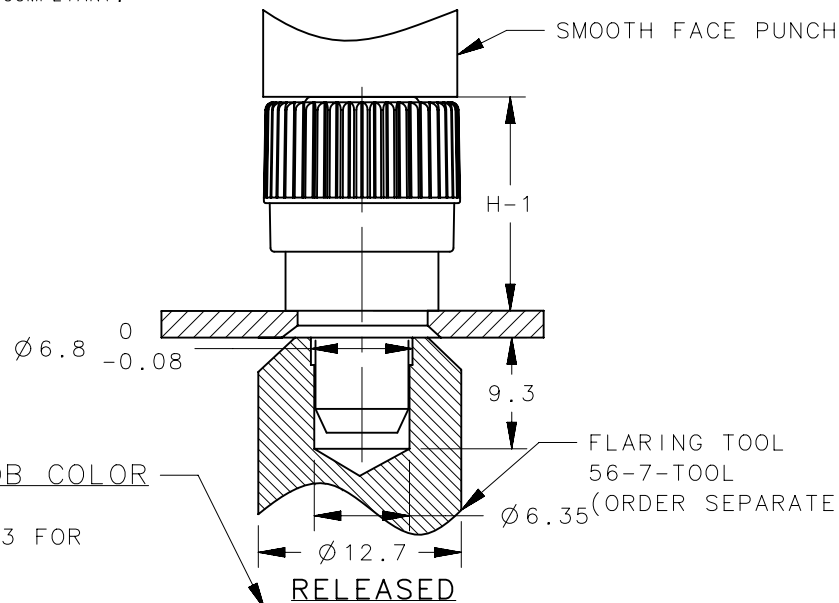
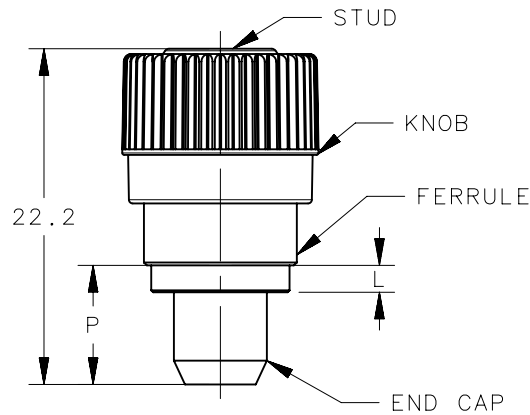


NOTES:

- A. INSTALLATION INSTRUCTIONS:
1. DRILL OR PUNCH INSTALLATION HOLE.
 2. PLACE FERRULE INTO INSTALLATION HOLE.
 3. PROVIDE SOLID BACK-UP BEHIND HEAD
 4. PRESS ON HEAD OF STUD UNTIL SHOULDER OF FERRULE IS FIRMLY AGAINST OUTER PANEL.
 5. PUNCH CANNOT TOUCH PLASTIC DURING INSTALLATION.
- RECOMMENDED LOAD OF 8,000 N FOR STEEL. RECOMMENDED LOAD OF 5,000 N FOR 5052-H32 ALUMINUM.
- B. MATERIAL AND FINISH:
- END CAP: STEEL, ZINC PLATE PLUS SEALER.
 - FERRULE: ALUMINUM, NATURAL
 - SPRING: STAINLESS STEEL, PASSIVATED (NOT SHOWN)
 - STUD: HARDENED STEEL, ZINC PLATE PLUS SEALER.
 - KNOB: PC/ABS UL94 V0 RATED, FLAME RETARDANT; TRIARYLPHOSPHATE (DOES NOT CONTAIN BROMINATED, CHLORINATED, OR HALOGENATED ADDITIVES).
- C. PARTS SHIPPED BULK.
- D. RoHS COMPLIANT.



SCALE 1:1



"EEE" KNOB COLOR
-000 BLACK
SEE J-47-0-3 FOR
DETAILS

56-371-2-EEE	3.2	4.7	1.5	9.4	3.3	13	19
56-371-1-EEE	1.5	3.1	0.4	7.9	1.8	14.5	20.6
PART NUMBER	OUTER PANEL MIN	OUTER PANEL MAX	B±0.13	P	L	H-1	H-2

THIRD ANGLE PROJECTION				southco [®] CONNECT • CREATE • INNOVATE			
MILLIMETERS [IN]							
SURFACE AREA		TOLERANCES UNLESS OTHERWISE NOTED		DESCRIPTION			
VOLUME		ALL DIMENSIONS WITHOUT TOLERANCES ARE FOR REFERENCE ONLY.		56 SMALL PLUNGER FLARE-IN, 4C KNOB OVERMOLD, STAY OPEN			
PROPRIETARY ITEM		SIZE	SYSTEM	DWG NO.			
EXCEPT FOR USES EXPRESSLY GRANTED IN WRITING, INFORMATION DISCLOSED HEREON IS CONFIDENTIAL AND ALL RIGHTS, PATENT AND OTHERWISE, ARE RESERVED BY SOUTHCO, INC.		A4	NX	J-56-371-EEE			
PER ASME Y14.5M-1994		DRAWN BY	DATE	SCALE	SHEET		
		MAL/JQ	06JUL2015	2:1	1 OF 1		