

southco

PROPRIETARY ITEM - EXCEPT FOR USES EXPRESSLY GRANTED IN WRITING INFORMATION DISCLOSED HEREON IS CONFIDENTIAL AND ALL RIGHTS PATENT AND OTHERWISE ARE RESERVED BY SOUTHCO, INC.

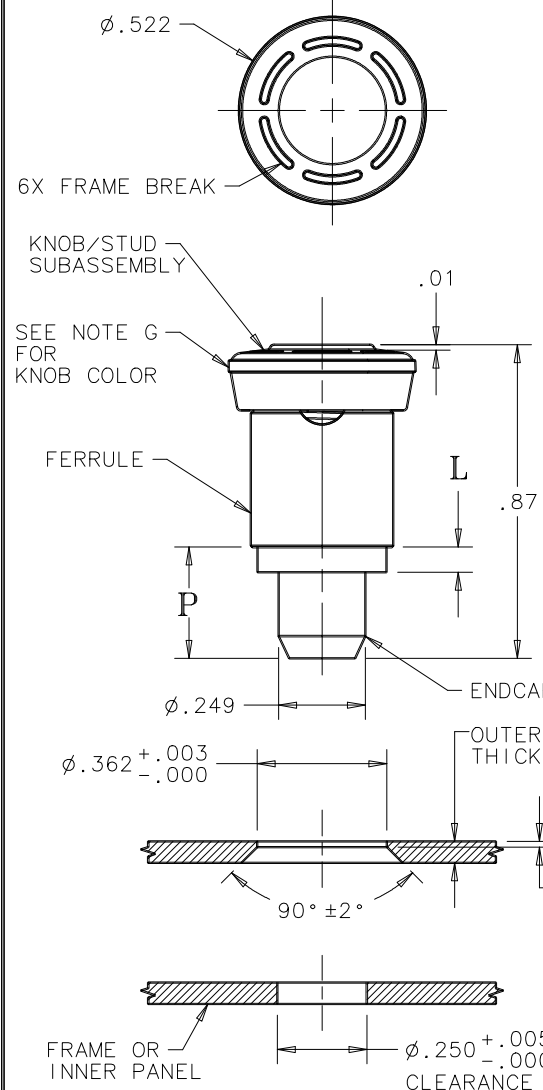
No. 56 SPRING LOADED PLUNGER ASSEMBLY, FLARE-IN STYLE, WITH SMALL OVERMOLDED KNOB AND WITH STAY-OPEN FEATURE

DATE	DRAWN	CHKD	SCALE	DRAWING NUMBER
01MAR2003	DLH	LLC	2:1	J-56-171

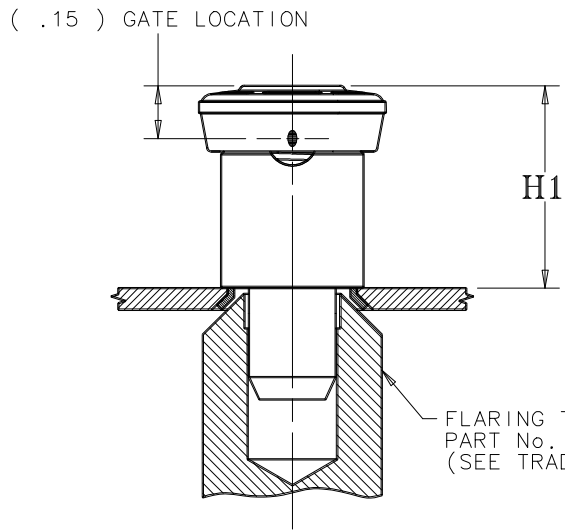
REV	DATE	DRAWN/CHKD	DESCRIPTION	PART NUMBER	OUTER PANEL THICKNESS		B	L	P	H1	H2
					MIN	MAX					
A	08MAY2003	DLH/VNI	PRN: P2003-0348				±.005				
B	28MAY2003	DLH/AJH	PRN: P2003-0426	56-171-1-EEE	.060	.125	.016	.070	.31	.57	.81
C	23JUL2003	DLH/AJH	PRN: P2003-0611	56-171-2-EEE	.125	.185	.060	.130	.37	.51	.75

INCHES

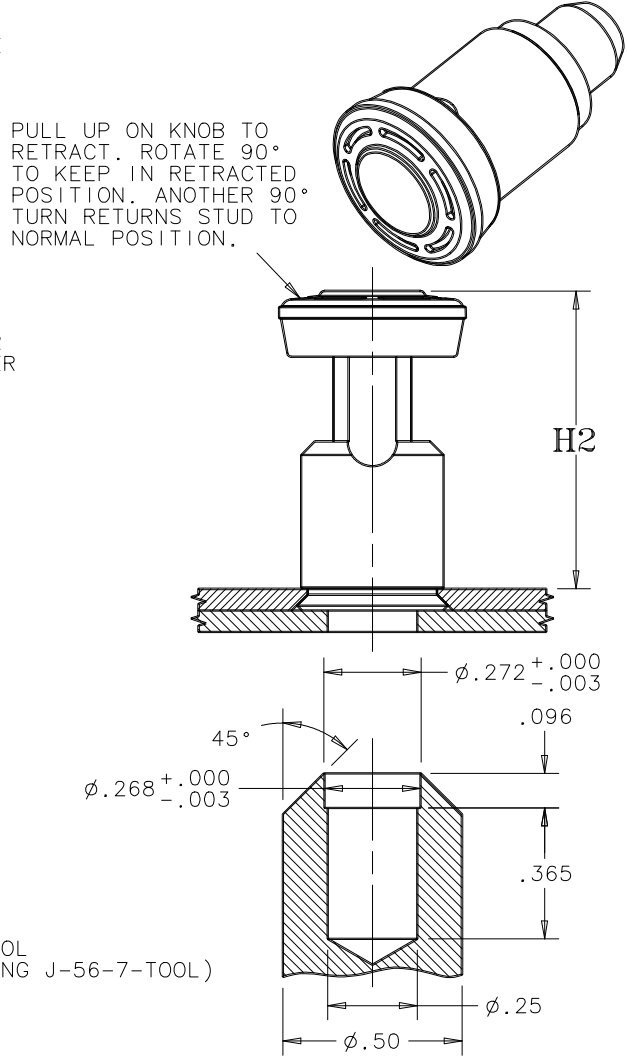
ALL DIMENSIONS WITHOUT TOLERANCES ARE FOR REFERENCE ONLY.



- NOTES:
- INSTALLATION INSTRUCTIONS:
 - DRILL OR PUNCH INSTALLATION HOLE.
 - PLACE FERRULE INTO INSTALLATION HOLE.
 - PROVIDE SOLID BACK-UP BEHIND HOLE WITH CLEARANCE HOLE FOR ENDCAP.
 - FLARE FERRULE UNTIL SHOULDER IS FIRMLY AGAINST OUTER PANEL.
 - PUNCH CANNOT TOUCH PLASTIC DURING INSTALLATION.
 - MATERIAL AND FINISH:
 - KNOB - PC/ABS, BLACK
 - STUD - HARDENED STEEL, ZINC PLATE PLUS SEALER
 - FERRULE - ALUMINUM, NATURAL
 - ENDCAP - STEEL, ZINC PLATE PLUS SEALER
 - SPRING - STAINLESS STEEL, PASSIVATED
 - GATE NOT ORIENTED WITH FRAME BREAK.
 - FLASH HEIGHT GREATER THAN .012 NOT ACCEPTABLE.
 - SURFACE IMPERFECTIONS: INSPECT PARTS FROM 2 FEET FOR 3 SECONDS. FOUR SURFACE IMPERFECTIONS MAX PER PART ALLOWED. SURFACE IMPERFECTIONS TO BE NO LARGER THAN .045 IN DIAMETER, HEIGHT, OR WIDTH.
 - PARTS SHIPPED BULK.
 - PART NUMBER SUFFIX "EEE" = KNOB COLOR
-000 = BLACK
(FOR ADDITIONAL COLORS SEE J-47-0-3)



PART NUMBER: 56-171-1-EEE SHOWN



FLARING TOOL DETAIL

PANEL PREPARATION