

DRAWING NUMBER
J-53-25

SCALE
N.T.S.

CHKD
SJM

DATE
3/12/82

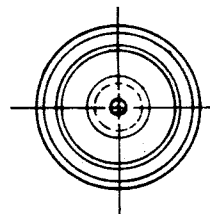
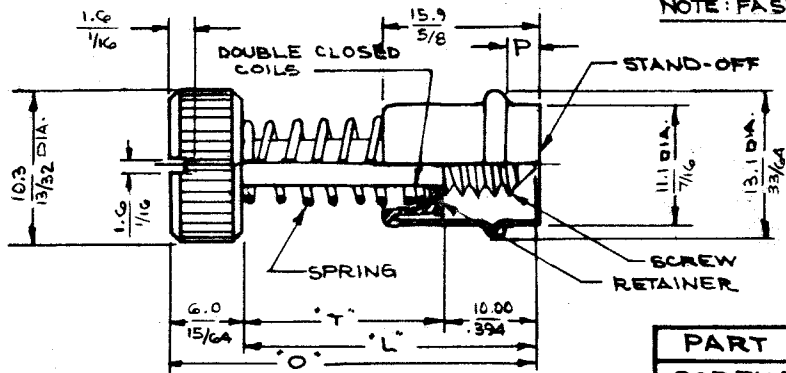
SOUTHC0 N0 53 FASTENER ASSEMBLIES
M4 x 0.7 THREAD 7/16 DIA. HEAD

SOUTHC0, INC.
LESTER, PA.

REV A 8-5-88 MAIN CORRECTED 5/64 CONVERSION
REV B SMARTS TAR PRN: S-1-03
WAS H.L.Y.

DRAWING NUMBER
J-53-25

NOTE: FASTENER SHIPPED UNASSEMBLED



PROPRIETARY ITEM - EXCEPT FOR USES EXPRESSLY GRANTED IN WRITING. INFORMATION DISCLOSED HEREON IS CONFIDENTIAL AND ALL RIGHTS, PATENT AND OTHERWISE, ARE RESERVED BY SOUTHC0, INC.

PART	MATERIAL	FINISH
SCREW	STAINLESS STEEL	PASSIVATE
STAND-OFF	STAINLESS STEEL	PASSIVATE
RETAINER	STAINLESS STEEL	PASSIVATE
SPRING	STAINLESS STEEL	PASSIVATE

MILLIMETER/INCH

MILLIMETER
INCH

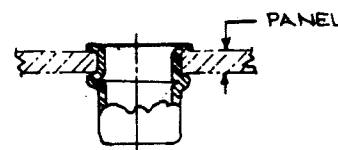
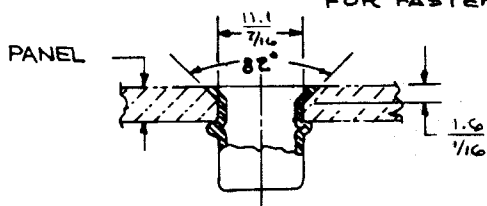
ASSEMBLY PART NUMBERS

SLOTTED		UNSLOTTED		T	L	O	P
M4 x 0.7		M4 x 0.7					
53-74 - 714-24		53-84 - 714-24		14.00	24.00	30.00	3.2 7/8
- 814		814		.552	.945	1.181	4.8 3/16
- 914		914					6.3 1/4
- 716		716		16.00	24.00	32.00	3.2 7/8
- 816		816		.630	1.024	1.260	4.8 3/16
- 916		916					6.3 1/4
- 718		718		18.00	28.00	34.00	3.2 7/8
- 818		818		.709	1.102	1.339	4.8 3/16
- 918		918					6.3 1/4
- 720		720		20.00	30.00	36.00	3.2 7/8
- 820		820		.787	1.181	1.417	4.8 3/16
- 920		920					6.3 1/4
- 722		722		22.00	32.00	38.00	3.2 7/8
- 822		822		.866	1.260	1.496	4.8 3/16
- 922		922					6.3 1/4
- 724		724		24.00	34.00	40.00	3.2 7/8
- 824		824		.945	1.339	1.575	4.8 3/16
- 924		924					6.3 1/4
- 726		726		26.00	36.00	42.00	3.2 7/8
- 826		826		1.024	1.417	1.654	4.8 3/16
							6.3 1/4
53-74 - 926-24		53-84 - 926-24					

INSTALLATION METHOD 'A'

INSTALLATION METHOD 'B'

FOR FASTENER INSTALLATION SEE DWG. J-53-1



WHEN DIMENSION 'P' IS:	PANEL RANGE IS:	
	METHOD 'A'	METHOD 'B'
3.2 7/8	2.8 - 3.6 7/64 - 9/64	1.6 - 2.0 1/16 - 3/64
4.8 3/16	4.4 - 5.2 11/64 - 13/64	2.4 - 3.6 3/32 - 9/64
6.3 1/4	5.9 - 6.7 13/64 - 17/64	4.0 - 5.2 5/32 - 13/64