

DRAWING NUMBER

J-53-27-26

SCALE

N.T.S.

CHKD

DRAWN

JLK

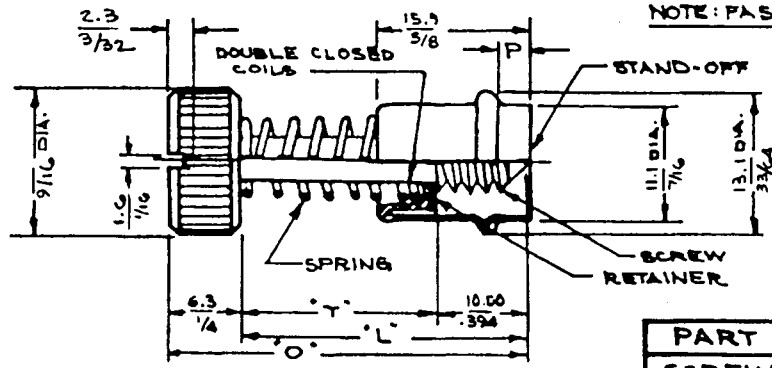
DATE

10 MAY 94

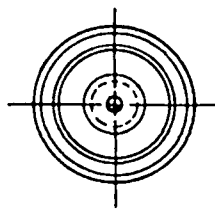
SOUTHCO NO 53 FASTENER ASSEMBLIES  
 MG X 1 THREAD 9/16 DIA. HEAD

DRAWING NUMBER

J-53-27-26



NOTE: FASTENER SHIPPED UNASSEMBLED



PROPRIETARY ITEM—EXCEPT FOR USES EXPRESSLY GRANTED IN WRITING, INFORMATION DISCLOSED HEREON IS CONFIDENTIAL AND ALL RIGHTS, PATENT AND OTHERWISE, ARE RESERVED BY SOUTHCO, INC.

PART	MATERIAL	FINISH
SCREW	STAINLESS STEEL	BLACK ORGANIC COATING
STAND-OFF	STAINLESS STEEL	BLACK ORGANIC COATING
RETAINER	STAINLESS STEEL	PASSIVATE
SPRING	STAINLESS STEEL	PASSIVATE

MILLIMETER/INCH MILLIMETER/INCH

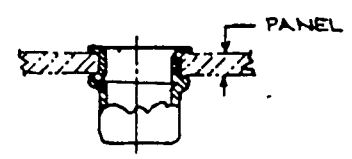
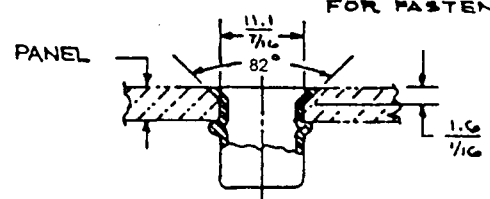
ASSEMBLY PART NUMBERS

SLOTTED		UNBLOTTED		T	L	O	P
MG x 1		MG x 1					
53-77-414-26		53-87-414-26					
514		514		14.00	24.00	30.35	3.2 7/8
614		614		.552	.945	1.195	4.8 3/16
416		416					6.3 1/4
516		516		16.00	26.00	32.35	3.2 7/8
616		616		.630	1.024	1.274	4.8 3/16
418		418					6.3 1/4
518		518		18.00	28.00	34.35	3.2 7/8
618		618		.709	1.102	1.352	4.8 3/16
420		420					6.3 1/4
520		520		20.00	30.00	36.35	3.2 7/8
620		620		.787	1.181	1.431	4.8 3/16
422		422					6.3 1/4
522		522		22.00	32.00	38.35	3.2 7/8
622		622		.866	1.260	1.510	4.8 3/16
424		424					6.3 1/4
524		524		24.00	34.00	40.35	3.2 7/8
624		624		.945	1.339	1.589	4.8 3/16
426		426					6.3 1/4
526		526		26.00	36.00	42.35	3.2 7/8
626		626		1.024	1.417	1.667	4.8 3/16
53-77-626-26		53-87-626-26					6.3 1/4

INSTALLATION METHOD "A"

INSTALLATION METHOD "B"

FOR FASTENER INSTALLATION SEE DWG. J-53-1



WHEN DIMENSION "P" IS:	PANEL RANGE IS:	
	METHOD "A"	METHOD "B"
3.2 7/8	2.8 - 3.6 7/16 - 9/16	1.6 - 2.0 7/16 - 3/8
4.8 3/16	4.4 - 5.2 7/16 - 13/16	2.4 - 3.6 3/8 - 9/16
6.3 1/4	5.9 - 6.7 3/4 - 17/16	4.0 - 5.2 5/8 - 13/16

