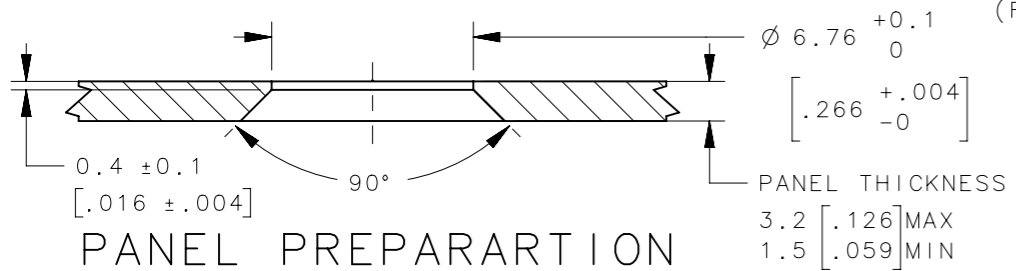
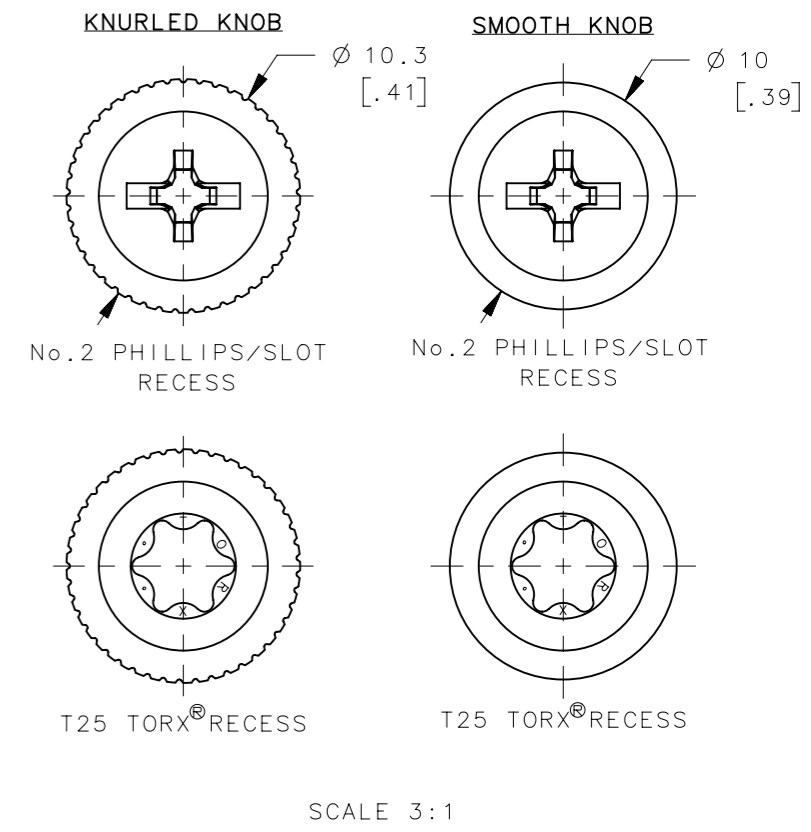
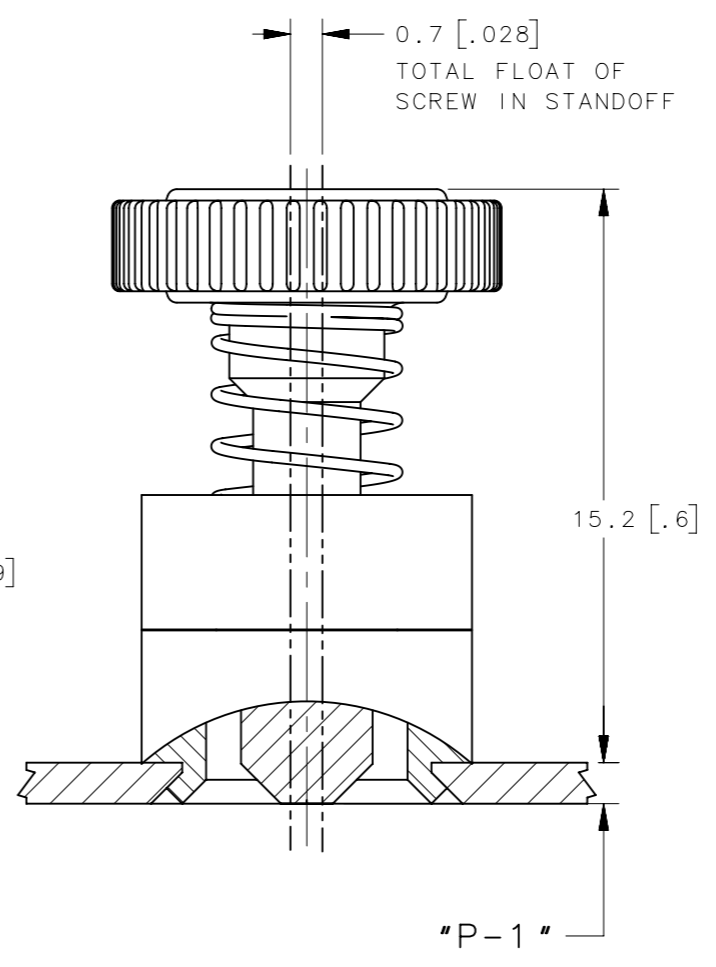
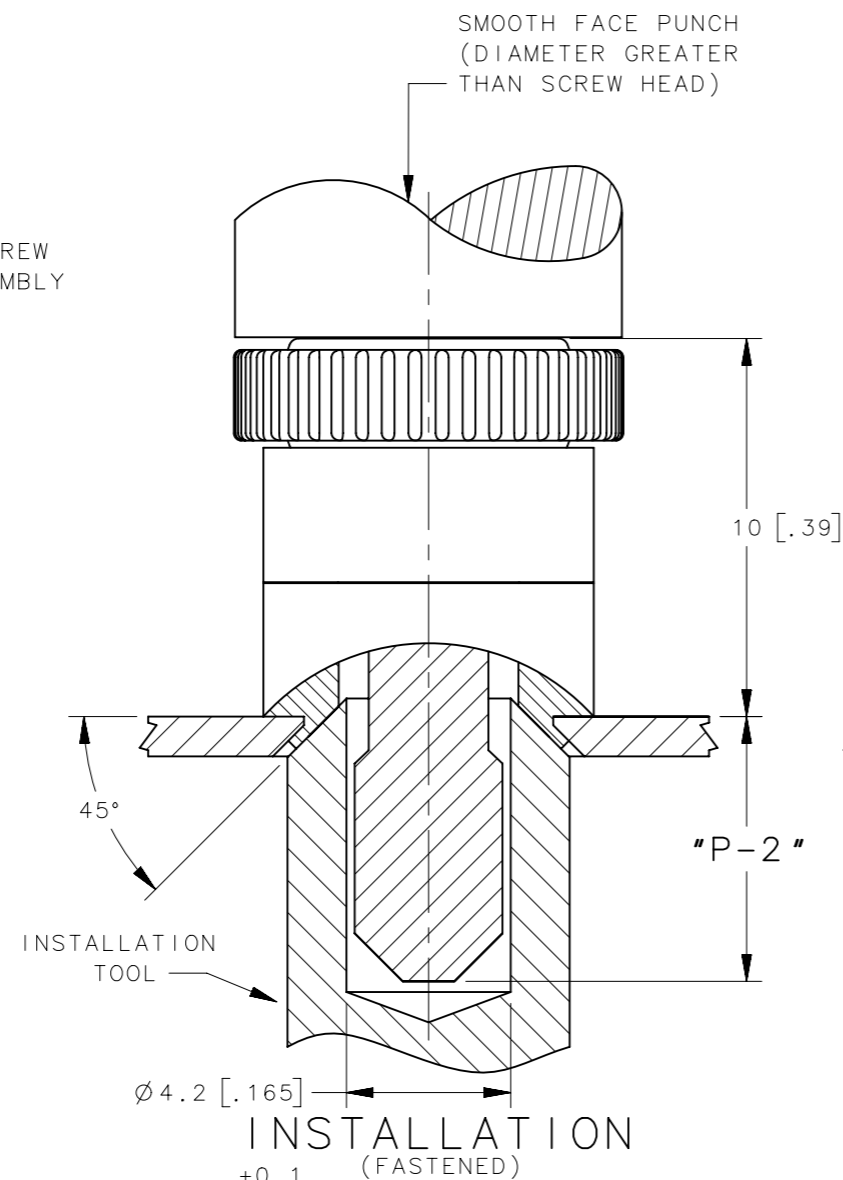
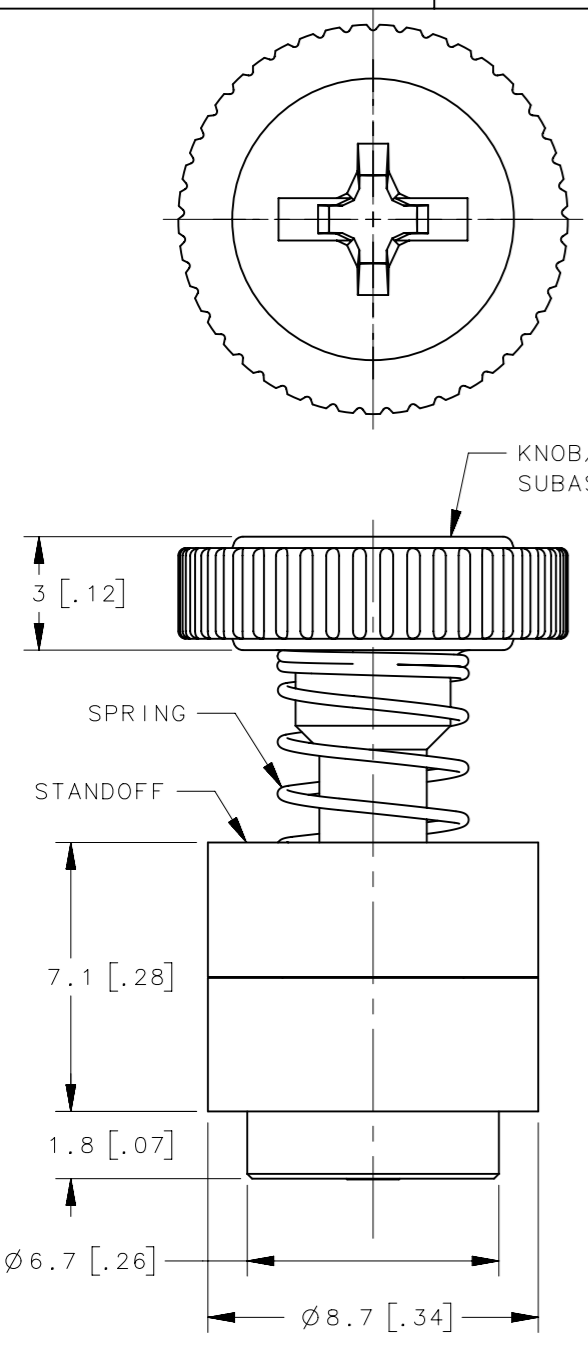


| REVISION HISTORY | | | |
|------------------|-----------|---------|-----------------|
| REV | DATE | BY | DESCRIPTION |
| E | 27JUL2016 | DMS/YGC | PRN: P2016-1747 |

PART NUMBER 52-49-21-4-EEE SHOWN



PANEL PREPARATION

- NOTES:
- A. MATERIAL AND FINISH: RoHS COMPLIANT
 KNOB: PC/ABS UL94 V0 RATED, FLAME RETARDANT; TRIARYLPHOSPHATE (DOES NOT CONTAIN BROMINATED, CHLORINATED, OR HALOGENATED ADDITIVES). "EEE" IN PART NUMBER DENOTES KNOB COLOR.
 SCREW: STEEL, HARDENED, ZINC PLATE PLUS SEALER
 SPRING: 300 SERIES STAINLESS STEEL, PASSIVATED
 STANDOFF: 6000 SERIES ALUMINUM, NATURAL
 - B. INSTALLATION INSTRUCTIONS:
 1. PREPARE THE HOLE IN THE PANEL, COUNTERSINK UNDERSIDE OF THE PANEL AS SHOWN.
 2. USE SOUTHCO INSTALLATION TOOL, PART NUMBER IS 47-108, TO FLARE THIS ASSEMBLY.
 3. SMOOTH FACE PUNCH SURFACE AND INSTALLATION TOOL MUST REMAIN PARALLEL DURING FLARING OF STANDOFF. ONLY USE LIGHT PRESSURE TO FLARE STANDOFF. RECOMMENDED LOAD OF 3,000N.
 - C. RECOMMENDED MAXIMUM TORQUE OF 220 N-cm.
 - D. COSMETIC SPECIFICATION: ALL SURFACES (UNLESS OTHERWISE SPECIFIED) ARE TO BE PER SOUTHCO SPECIFICATION S-121-02 AND S-121-04, CLASS B (REFER TO SECTION 1.0 FOR CROSS REFERENCE TABLE)

UNFASTENED

- *B* SCREW RECESS AND KNOB STYLE**
- 5 - T25 TORX® RECESS, KNURLED KNOB
 - 6 - T25 TORX® RECESS, SMOOTH KNOB
 - 9 - No2. PHILLIPS/SLOT RECESS, KNURLED KNOB
 - A - No2. PHILLIPS/SLOT RECESS, SMOOTH KNOB

***EEE* KNOB COLOR**
 SEE J-47-0-3 FOR DETAIL

| | | | |
|--|--|-----------|-------------|
| 52-4B-21-4-EEE | | 1.8 [.07] | 7.0 [.275] |
| PART NUMBER | | "P-1" | "P-2" |
| THIRD ANGLE PROJECTION | | | |
| MILLIMETERS [IN] | | | |
| TOLERANCES UNLESS OTHERWISE NOTED | DESCRIPTION | | |
| ALL DIMENSIONS WITHOUT TOLERANCES ARE FOR REFERENCE ONLY. | OVERMOLD 52 ASSEMBLY, M4 THREAD FLARE-IN STYLE | | |
| PROPRIETARY ITEM | SIZE | SYSTEM | DWG NO. |
| EXCEPT FOR USES EXPRESSLY GRANTED IN WRITING, INFORMATION DISCLOSED HEREON IS CONFIDENTIAL AND ALL RIGHTS, PATENT AND OTHERWISE, ARE RESERVED BY SOUTHCO, INC. | A3 | NX | J-52-1-M4 |
| PER ASME Y14.5M-1994 | DRAWN BY | DATE | SCALE SHEET |
| | JQ/TVA | 17MAY2011 | 5:1 1 OF 1 |