



N° 51 FASTENER ASSEMBLIES
N° 10-32 THREAD 7/16 DIA. HEAD

J-51-6-26A

REV.	DATE	BY	REVISIONS
A			
B			
C			
D			

4-40-80	KLH
---------	-----

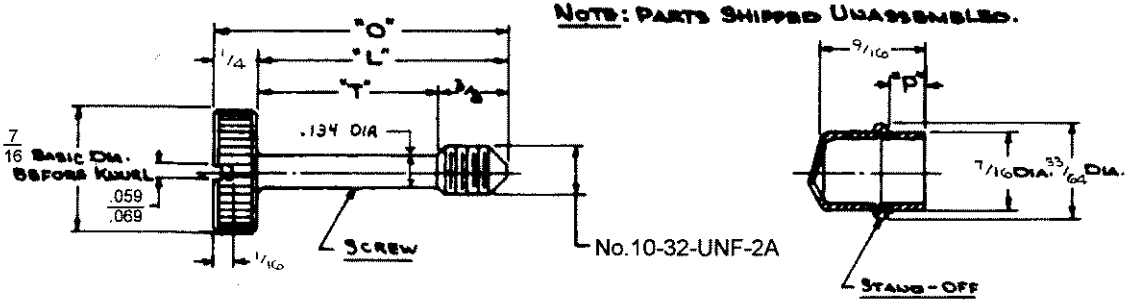
REV.	DATE	BY	REVISIONS

REV.	DATE	BY	REVISIONS

REV.	DATE	BY	REVISIONS

REV.	DATE	BY	REVISIONS

REV.	DATE	BY	REVISIONS
A	4-5-82	ESJ	PRN: 5-1-91
B	4-5-82	RJA	PRN 67-3
C	10-31-88	KG	ADDED .134 DIA DIM.
D	5-7-89	VB	PRN: S-1-03



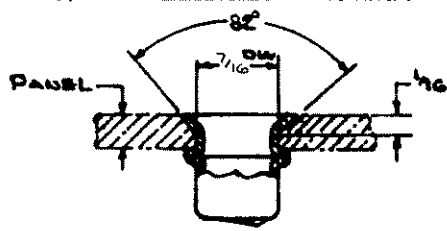
ITEM	MATERIAL	FINISH
SCREW	STAINLESS STEEL	BLACK ORGANIC COATING
STAND-OFF	STAINLESS STEEL	BLACK ORGANIC COATING

NOTE: THESE ASSEMBLIES ARE NON-REPAIRABLE ITEMS AND COMPONENTS ARE NOT AVAILABLE AS REPLACEMENT OR REPAIR PARTS.

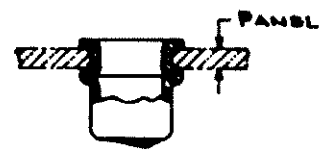
ASSEMBLY PART NUMBERS		T	L	O	P
SLOTTED	UNSLOTTED				
51-16-709-26	51-26-709-26				1/8
-809-	-809-	5/16	5/16	3/16	3/16
-909-	-909-				1/4
-710-	-710-				1/8
-810-	-810-	5/8	1/2	1/4	3/16
-910-	-910-				1/4
-711-	-711-				1/8
-811-	-811-	5/16	1/16	1/16	3/16
-911-	-911-				1/4
-712-	-712-				1/8
-812-	-812-	3/4	1/8	1/8	3/16
-912-	-912-				1/4
-713-	-713-				1/8
-813-	-813-	13/16	3/16	1/16	3/16
-913-	-913-				1/4
-714-	-714-				1/8
-814-	-814-	7/8	1/4	1/2	3/16
-914-	-914-				1/4
-715-	-715-				1/8
-815-	-815-	15/16	5/16	1/16	3/16
-915-	-915-				1/4
-716-	-716-				1/8
-816-	-816-	1	3/8	1/8	3/16
51-16-916-26	51-26-916-26				1/4

THESE ASSEMBLIES ARE NON-REPAIRABLE ITEMS AND COMPONENTS ARE NOT AVAILABLE AS REPLACEMENT OR REPAIR PARTS.

INSTALLATION METHOD "A"



INSTALLATION METHOD "B"



WHEN DIMENSION "P" IS	PANEL RANGE IS	
	METHOD "A"	METHOD "B"
1/8	1/64 To 3/64	1/16 To 5/64
3/16	11/64 To 13/64	3/32 To 9/64
1/4	15/64 To 17/64	5/32 To 13/64

PROPRIETARY ITEM—EXCEPT FOR USES EXPRESSLY GRANTED IN WRITING, INFORMATION DISCLOSED HEREON IS CONFIDENTIAL AND ALL RIGHTS, PATENT AND OTHERWISE, ARE RESERVED BY SOUTHCO, INC.

DRAWING NUMBER
J-51-6-26A