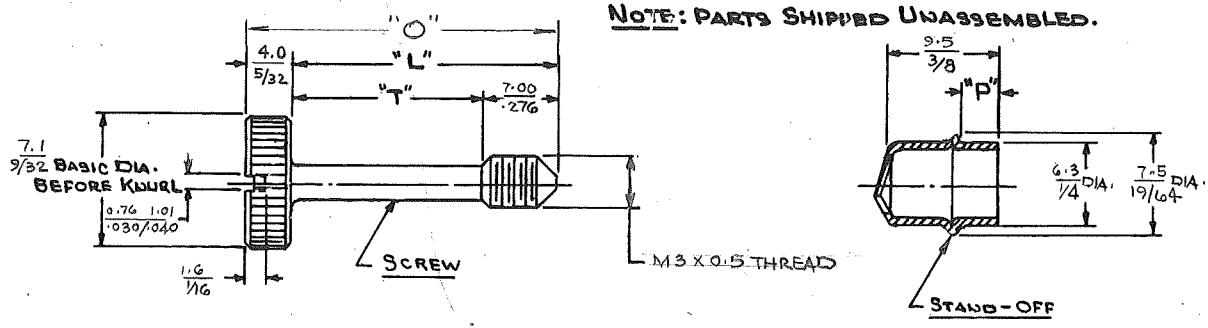


REV.	DATE	BY	REVISIONS
A	6/14/83	JKK	PEN SS-95
B	5-11-83	JKK	PRN: S-1-83
C	2-20-83	JKK	PLN: 22067-1074



ITEM	MATERIAL	FINISH
SCREW	STAINLESS STEEL	PASSIVATE
STAND-OFF	STAINLESS STEEL	PASSIVATE

NOTE: THESE ASSEMBLIES ARE NON-REPAIRABLE ITEMS AND COMPONENTS ARE NOT AVAILABLE AS REPLACEMENT OR REPAIR PARTS.

ASSEMBLY PART NUMBERS		T	L	O	P
SLOTTED	UNSLOTTED				
51-72-410-24	51-82-410-24	10.00	17.00	21.00	1.6
↑ -510 - ↑	↑ -510 - ↑	.394	.669	.827	1/16
-610 -	-610 -				2-3
-412 -	-412 -				3/32
-512 -	-512 -	12.00	19.00	23.00	3/2
-612 -	-612 -	.472	.748	.906	1/8
-414 -	-414 -				1.6
-514 -	-514 -	14.00	21.00	25.00	1/16
-614 -	-614 -	.551	.827	.984	2-3
-416 -	-416 -				3/32
-516 -	-516 -	16.00	23.00	27.00	3/2
-616 -	-616 -	.630	.906	1.063	1/8
-418 -	-418 -				1.6
↓ -518 - ↓	↓ -518 - ↓	18.00	25.00	29.00	1/16
51-72-618-24	51-82-618-24	.709	.984	1.142	2-3
					3/32
					3/2
					1/8

NOTE: FOR INSTALLATION INSTRUCTIONS SEE J-51-13
NOTE: FOR BLACK ORGANIC COATING FINISH - CHANGE THE LAST DIGIT OF THE PART NO. FROM "4" TO "6"