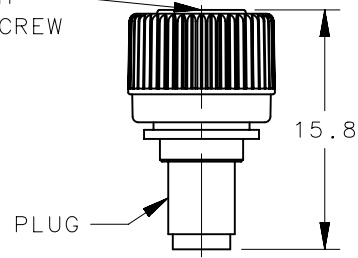




POLYIMIDE TAPE PATCH
ON TOP SURFACE OF SCREW
FOR VACUUM PICK UP

PACKED WITH PLUG



REVISION HISTORY

REV	DATE	BY	DESCRIPTION
C	04JAN2013	JQ/TVA	PRN: P2013-0030

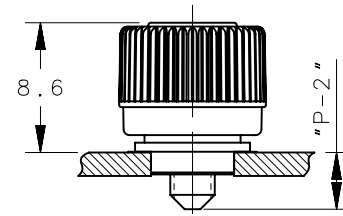
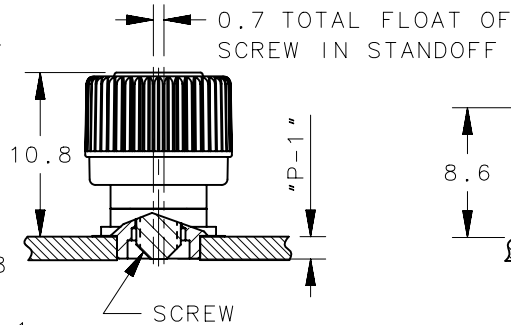
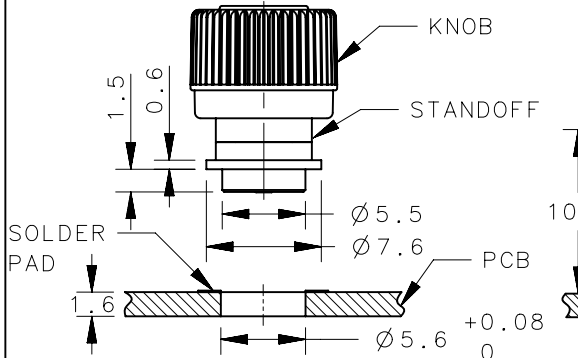
P/N: 4C-SM-3111-K000 SHOWN



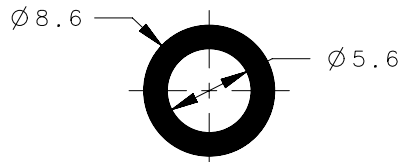
SCALE 1:1

NOTES:

- A. MATERIAL AND FINISH: RoHS COMPLIANT
SCREW: STEEL, HARDENED, ZINC PLATE PLUS SEALER
SPRING: 300 SERIES STAINLESS STEEL, PASSIVATED
STANDOFF: STEEL, TIN PLATE
KNOB: HIGH HEAT RESISTANCE PLASTIC
PLUG: SILICONE RUBBER
PATCH: POLYIMIDE
- B. INSTALLATION INSTRUCTION:
1. PREPARE HOLE AND SOLDER PAD AS SHOWN. HOLE DIAMETER, INCLUDING TOLERANCE, IS FINAL SIZE.
2. PRINT THE PCB BOARD WITH SOLDER PASTE. THE SOLDER PASTE SHOULD COVER THE SOLDER PAD.
3. SMT MACHINE TO PICK AND PLACE THE WHOLE SCREW WITH PATCH AND PLUG INTO LOCATED PANEL HOLES.
4. THE PCB BOARDS WILL CONTINUE THROUGH THE SET UP HEAT SOLDERING CHAMBER AND FINISH THE CYCLE. MAXIMUM TEMP 535°F (280°C). NITROGEN ATMOSPHERE RECOMMENDED TO DIMINISH DISCOLORATION.
5. THE PATCH AND PLUG ON SCREW WILL BE REMOVED AFTER SOLDERING DONE AND CANNOT BE REUSED.
6. TO REMOVE THE PLUG: PULL SCREW HEAD UP TO UNFASTENED POSITION, THEN THE PLUG CAN BE PULLED OFF EASILY.
- C. TORX® IS REGISTERED TRADEMARK OF ACUMENT TM INTELLECTUAL PROPERTIES, LLC.
- D. COSMETIC SPECIFICATION: ALL SURFACES (UNLESS OTHERWISE SPECIFIED) ARE TO BE PER SOUTHCO SPECIFICATION S-121-02 AND S-121-04, CLASS B, STANDOFF CLASS C (REFER TO SECTION 1.0 FOR CROSS REFERENCE TABLE).
- E. SEE PAGE 2 FOR PACKAGE INFORMATION.



PANEL PREPARATION



(PASTE TO PAD 1:1)

D KNOB STYLES

- K - KNURLED
- N - SMOOTH

B RECESS STYLES

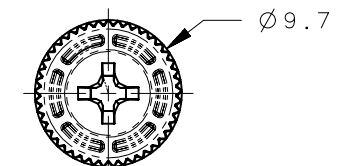
- 1 - No.2 PHILLIPS
- 4 - T10 TORX®/SLOT

EEE KNOB COLORS

- 000 - BLACK
- SEE J-47-0-3 FOR ADDITIONAL COLORS

P PACKAGE

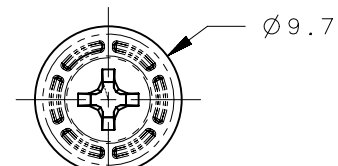
- R - REEL PACKAGE
- T - TRAY PACKAGE



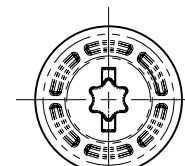
No.2 PHILLIPS RECESS



T10 TORX®/SLOT RECESS



No.2 PHILLIPS RECESS

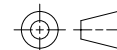


T10 TORX®/SLOT RECESS

SMOOTH KNOB

4C-SM-3B21-DEEE-P	3.3	5.5	1.6
4C-SM-3B11-DEEE-P	1.5	3.7	1.6
PART NUMBER	"P-1"	"P-2"	PANEL THICKNESS

THIRD ANGLE PROJECTION



MILLIMETERS [IN]

TOLERANCES UNLESS OTHERWISE NOTED

ALL DIMENSIONS WITHOUT TOLERANCES ARE FOR REFERENCE ONLY.

PROPRIETARY ITEM
EXCEPT FOR USES EXPRESSLY GRANTED IN WRITING, INFORMATION DISCLOSED HEREON IS CONFIDENTIAL AND ALL RIGHTS, PATENT AND OTHERWISE, ARE RESERVED BY SOUTHCO, INC.

PER ASME Y14.5M-1994

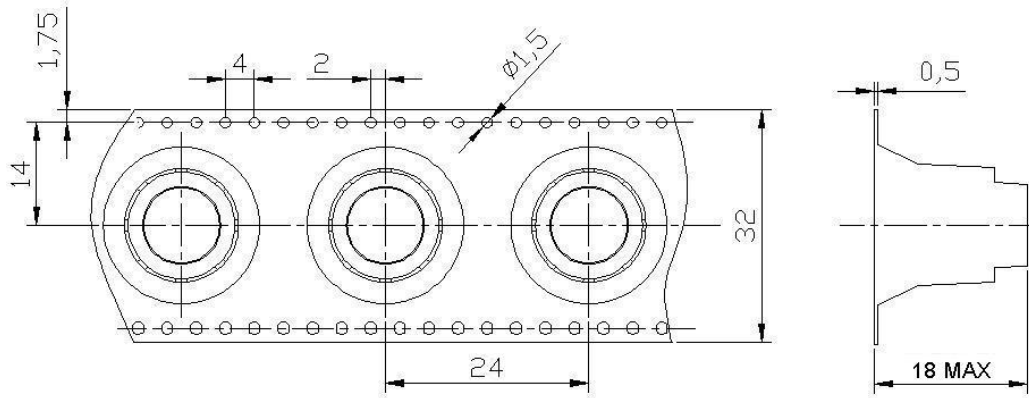
southco[®]
CONNECT • CREATE • INNOVATE

DESCRIPTION
4C-SM CAPTIVE FASTENER ASSEMBLY
M3 THREAD

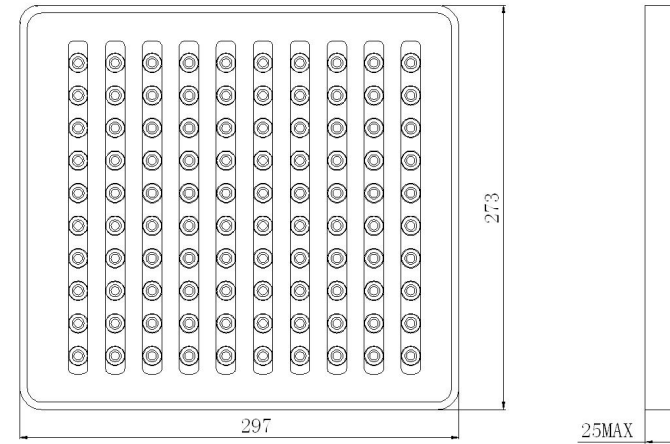
SIZE A4	SYSTEM NX	DWG NO. J-4C-SM-M3
DRAWN BY JQ/TVA	DATE 30MAR2012	SCALE 2:1
SHEET		1 OF 2

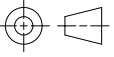

REVISION HISTORY			
REV	DATE	BY	DESCRIPTION
C	04JAN2013	JQ/TVA	PRN: P2013-0030

REEL PACKAGE: 13 INCH REEL PER EIA-481, 150 PIECES PER REEL



TRAY PACKAGE: 100 PIECES PER TRAY



	THIRD ANGLE PROJECTION 	 CONNECT • CREATE • INNOVATE			
	MILLIMETERS [IN]				
	TOLERANCES UNLESS OTHERWISE NOTED	DESCRIPTION 4C-SM CAPTIVE FASTENER ASSEMBLY M3 THREAD			
	ALL DIMENSIONS WITHOUT TOLERANCES ARE FOR REFERENCE ONLY.	SIZE A4	SYSTEM NX	DWG NO. J-4C-SM-M3	
PROPRIETARY ITEM EXCEPT FOR USES EXPRESSLY GRANTED IN WRITING, INFORMATION DISCLOSED HEREON IS CONFIDENTIAL AND ALL RIGHTS, PATENT AND OTHERWISE, ARE RESERVED BY SOUTHCO, INC.	PER ASME Y14.5M-1994	DRAWN BY JQ/TVA	DATE 30MAR2012	SCALE 2:1	SHEET 2 OF 2