



## 27 · 48 Compression Latches

Self-adjusting · Single hole mount

- Two sizes available
- Easy grip adjustment
- Multiple head styles

### Material and Finish

Steel, zinc plated or stainless steel

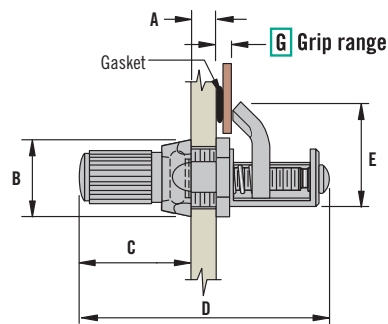
### Performance Details

**27:** Maximum static load:

155 N (35 lbf)

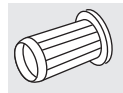
**48:** Maximum static load:

220 N (50 lbf)

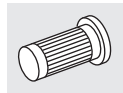


Size	A	B	C	D	E
27 Series Miniature	4.8 (.19) Maximum	10.3 (.41) Maximum	17.5 (.69) Maximum	31.8 (1.25)	13.9 (.55)
48 Series Small	4.8 (.19) Maximum	21 (.81) Maximum	19 (.75) Maximum	44 (1.73)	25.3 (.99)

Nylon knob



Knurled



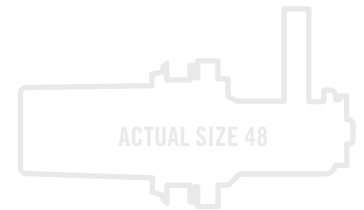
Slotted



Hex recess



Phillips recess



### 27 Series · Miniature

Material	G Grip Range		Knurled	Slotted	Hex Recess	Nylon Knob
	Minimum	Maximum				
Steel	0.8 (.03)	7.1 (.28)	27-99-123-10 *	27-10-501-10 *	27-10-701-10 *	27-10-311-10 *
Stainless steel	0.8 (.03)	7.1 (.28)	27-99-123-20 *	27-10-501-20 *	27-10-701-20 *	27-10-311-20 *

\* all part numbers shown are for clockwise rotation. For specification and ordering details visit: [www.southco.com](http://www.southco.com)

### 48 Series · Small

Material	G Grip Range		Nylon Knob	Slotted	Hex Recess	Phillips Recess
	Minimum	Maximum				
Steel	2.4 (.09)	9.5 (.38)	48-10-401-10	48-11-R	48-81-R	48-91-R
Steel	8.7 (.34)	15.9 (.63)	48-10-402-10	48-12-R	48-82-R	48-92-R
Steel	15.1 (.59)	22.2 (.88)	48-10-403-10	48-13-R	48-83-R	48-93-R

For specification and ordering details visit: [www.southco.com](http://www.southco.com)

Other options available. For complete details on variety, part numbers, installation and specification, go to



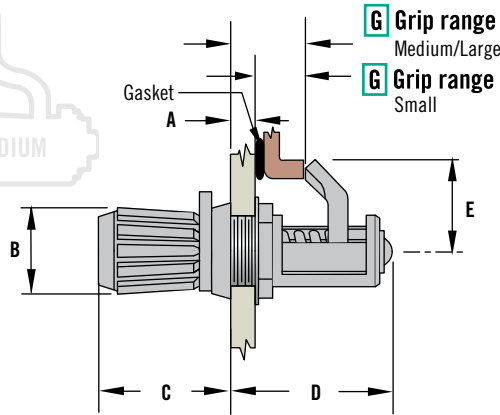
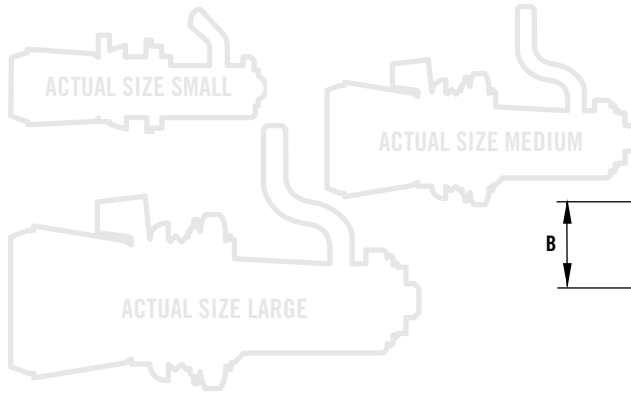
[www.southco.com/27](http://www.southco.com/27)  
[www.southco.com/48](http://www.southco.com/48)

Dimensions in millimeters (inch) unless otherwise stated

**southco**  
CONNECT · CREATE · INNOVATE

# 16 Compression Latch

Self-adjusting · Cam indicator · Knob actuated · Single hole mount



- Three sizes available
- Easy grip adjustment

### Material and Finish

Steel, zinc plated

### Performance Details

Small: Working load: 135 N (30 lbf)

Medium: Working load: 220 N (50 lbf)

Large: Working load: 335 N (75 lbf)

Size	G Grip Range		Part Number
	Min.	Max.	
Small	3.2 (.12)	10.3 (.41)	16-10-511-16
Medium	1.6 (.06)	8.7 (.34)	16-10-411-14
	7.1 (.28)	14.3 (.56)	16-10-412-14
Large	1.6 (.06)	12.7 (.50)	16-10-311-14
	9.5 (.37)	20.6 (.81)	16-10-312-14

Size	A. Max.	B	C	D	E
Small	2.4 (.09)	9.9 (.39)	15.5 (.61)	18.3 (.72)	10 (.40)
Medium	2.4 (.09)	13.5 (.53)	17.3 (.68)	23.4 (.92)	19 (.75)
Large	4.8 (.190)	19 (.75)	21.8 (.86)	32.9 (1.3)	23 (.91)

Other options available. For complete details on variety, part numbers, installation and specification, go to



[www.southco.com/16](http://www.southco.com/16)

# 43 · 44 · 14 Compression Latches

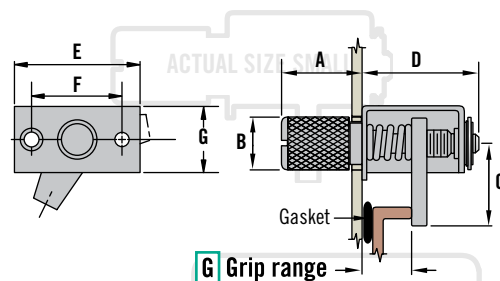
Self-adjusting · Three hole mount



## 44 · Medium size series

Material	G Grip Range		Knurled Head	Slotted Head
	Min.	Max.		
Steel	3.2 (.12)	9.5 (.37)	44-1-1-0	44-1-16-0
	9.5 (.37)	19.1 (.75)	44-1-2-0	44-1-17-0
	19.1 (.75)	28.6 (1.12)	44-1-3-0	44-1-18-0
Stainless steel	3.2 (.12)	9.5 (.37)	44-1-1-24	44-1-16-24
	9.5 (.37)	19.1 (.75)	44-1-2-24	44-1-17-24
	19.1 (.75)	28.6 (1.12)	44-1-3-24	44-1-18-24

Also available: Tool recess, Slotted, Hex recess



- Three sizes available
- Three hole installation
- Easy grip adjustment

### Material and Finish

Steel, zinc plated or stainless steel

### Performance Details

Working Load:

43 Small: 330 N (75 lbf)

44 Medium: 490 N (110 lbf)

14 Large: 670 N (150 lbf)

Size	A	B	C	D	E	F	G
Small 43	15.1 (.59)	8.9 (.35)	15.9 (.63)	22.2 (.88)	28.6 (1.13)	20.6 (.81)	13.9 (.55)
Medium 44	23.8 (.94)	14.6 (.57)	25.4 (1.0)	32.1 (1.27)	44.5 (1.75)	31.8 (1.25)	22.2 (.88)
Large 14	28.6 (1.13)	22.7 (.90)	34 (1.34)	44.5 (1.75)	63.5 (2.5)	47.6 (1.87)	33.3 (1.31)

Other options available. For complete details on variety, part numbers, installation and specification, go to

[www.southco.com/43](http://www.southco.com/43)

[www.southco.com/44](http://www.southco.com/44)

[www.southco.com/14](http://www.southco.com/14)



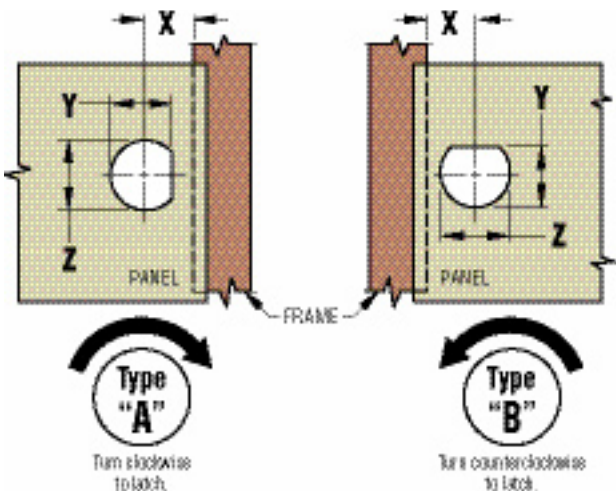
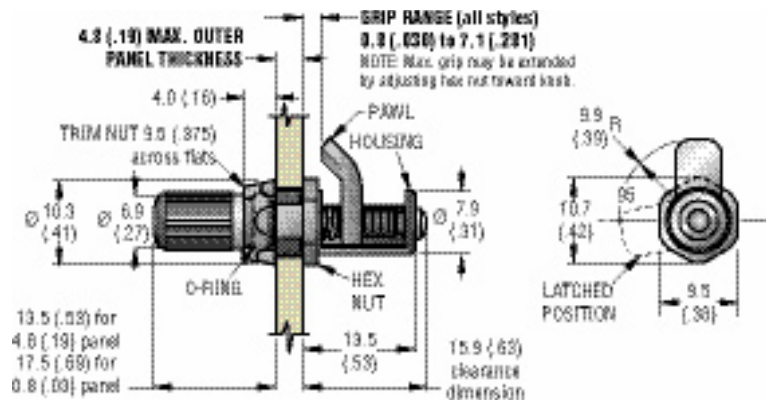
Dimensions in millimeters (inch) unless otherwise stated



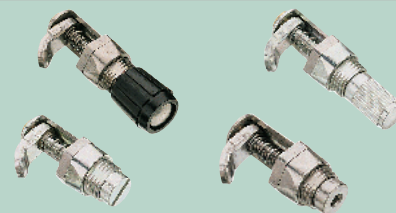
# Southco® Compression Latches

## Miniature Size

- Single-hole installation
- An extra turn adjusts the amount of compression applied
- Corrosion-resistant assemblies available
- Four access styles including hand- and tool-operated



<b>X</b>	6.4 ± 0.7 (.250 ± .031)
<b>Y</b>	7.4 ± 0.1 (.292 ± .005)
<b>Z</b>	8.03 ± 0.06 (.316 ± .002)



## Material and Finish

### For steel assemblies:

HOUSING and TRIM NUT: Low carbon steel, zinc plate, chromate plus sealer or chrome plated. PAWL: 1010 Steel, zinc plate, chromate plus sealer. SCREW: 12L14 Steel, zinc plate, chromate plus sealer or chrome plated. BUSHING: Brass, natural. SPRING: 302 Stainless steel, passivated. HEX NUT: 303 Stainless steel, passivated. O-RING: Buna-N rubber. KNOB: Nylon, black.

### For stainless steel assemblies:

HOUSING, SCREW and TRIM NUT: 303 Stainless steel, passivated or with black organic coating. BUSHING: Brass, natural. PAWL and SPRING: 302 Stainless steel, passivated. O-RING: Buna-N rubber. HEX NUT: 303 Stainless steel, passivated. KNOB: Nylon, black UL94-HB.

## Installation

1. Install latch from back side of panel.
2. Slip trim nut over knob, slotted head or hex socket head and finger tighten against panel.
3. With pawl in latched position, tighten hex nut hard against back of panel with 3/8" end wrench.

### For Black Nylon Knob style:

Be sure latch is properly attached and functioning then press knob onto knurled steel head of screw. Neither knob nor latch can be removed once knob is pressed into position.

## Product Strength Guidelines

(To assist in your product selection; samples are available for your evaluation.)

Maximum static load: 155 N (35 lbs.)

Average ultimate load: 400 N (90 lbs.)

Operating Temperature Range: -20°C (0°F) to 80°C (180°F)

Flammability Rating (KNOB): UL94-HB

Material and Finish	PART NUMBERS							
	Black Nylon Knob		Knurled Steel or Stainless Steel Knob		Low-profile Slotted Head		Hex-socket Head	
	Type "A"	Type "B"	Type "A"	Type "B"	Type "A"	Type "B"	Type "A"	
Steel, zinc plated	27-10-311-10 •	27-20-311-10 •	27-99-123-10 •	27-99-126-10 •	27-10-501-10 •	27-20-501-10	27-10-701-10	
Stainless steel, passivated	27-10-311-20 •	27-20-311-20 •	27-99-123-20 •	27-99-126-20 •	27-10-501-20 •	27-20-501-20 •	27-10-701-20 •	
Steel, chrome plated	27-10-311-30 •	—	27-99-123-30 •	—	27-10-501-30	—	—	
Stainless steel with black organic coating	—	—	27-99-123-50 •	27-99-126-50 •	27-10-501-50 •	27-20-501-50	—	

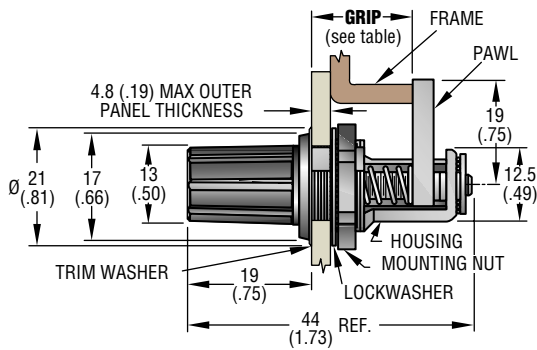
millimeter (inch)  
millimeter  
(inch)

Dimensions without tolerances are for reference only.

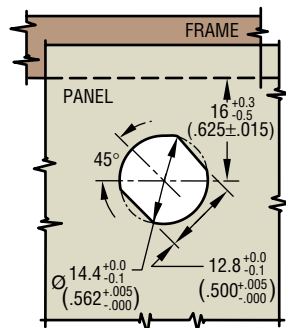
# Southco® Compression Latches

## Small Size

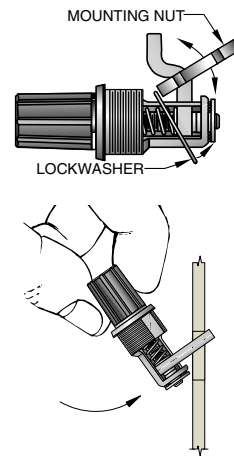
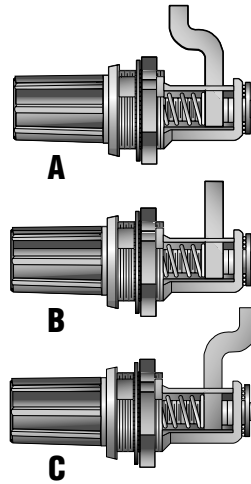
- Single-hole installation
- An extra turn adjusts the amount of compression applied
- Four access styles including hand- and tool-operated



## Panel preparation



Turn clockwise to latch.



## Material and Finish

SCREW: Low carbon steel.  
 HEX NUT: 12L14 Steel.  
 TRIM WASHER: Steel.  
 LOCKWASHER: Steel.  
 PAWL: 1010 Steel.  
 BUSHING: 12L14 Steel. The above components are zinc plate chromate plus sealer.  
 SPRING and SPRING WASHER: 17-7PH Stainless steel.  
 KNOB: Nylon, black.  
 HOUSING: Die-cast zinc, chemical protective film.

## Installation

1. Prepare panel.
2. Rotate knob to run pawl to back of housing.
3. Remove mounting nut and lockwasher.
4. Insert latch into hole by hooking pawl through hole.
5. Replace lockwasher and mounting nut; tighten with wrench.

## Product Strength Guidelines

(To assist in your product selection; samples are available for your evaluation.)  
 Maximum static load: 220 N (50 lbs.)  
 Average ultimate load: 445 N (100 lbs.)  
**Operating Temperature Range:** -20°C (0°F) to 80°C (180°F)  
**Flammability Rating (KNOB):** UL94 - V2

GRIP RANGE		PART NUMBERS				Pawl Position
		Knob Style	Slotted Head	Hex Socket	Phillips Recess	
MIN.	MAX.		slot width = 1.3 (.050) slot depth = 2 (.078) Ø13 (.50) 	Hex Socket size is 4 mm (5/32) Ø13 (.50) 	No. 2 size phillips recess Ø13 (.50) 	
2.4 (.09)	9.5 (.38)	48-10-401-10 •	48-11-R •	48-81-R •	48-91-R •	<b>A</b>
8.7 (.34)	15.9 (.63)	48-10-402-10 •	48-12-R •	48-82-R •	48-92-R •	<b>B</b>
15.1 (.59)	22.2 (.88)	48-10-403-10 •	48-13-R •	48-83-R •	48-93-R •	<b>C</b>

millimeter (inch)  
 millimeter (inch)

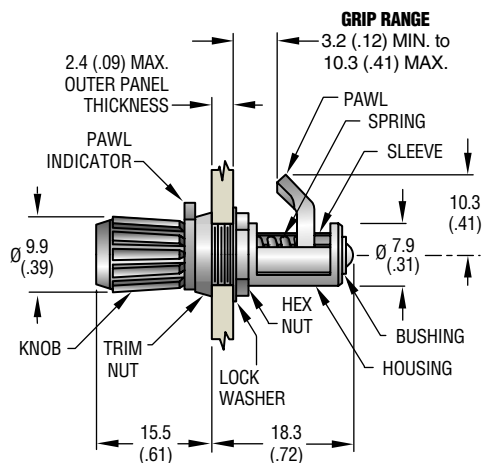
Dimensions without tolerances are for reference only.

# Southco® Compression Latches

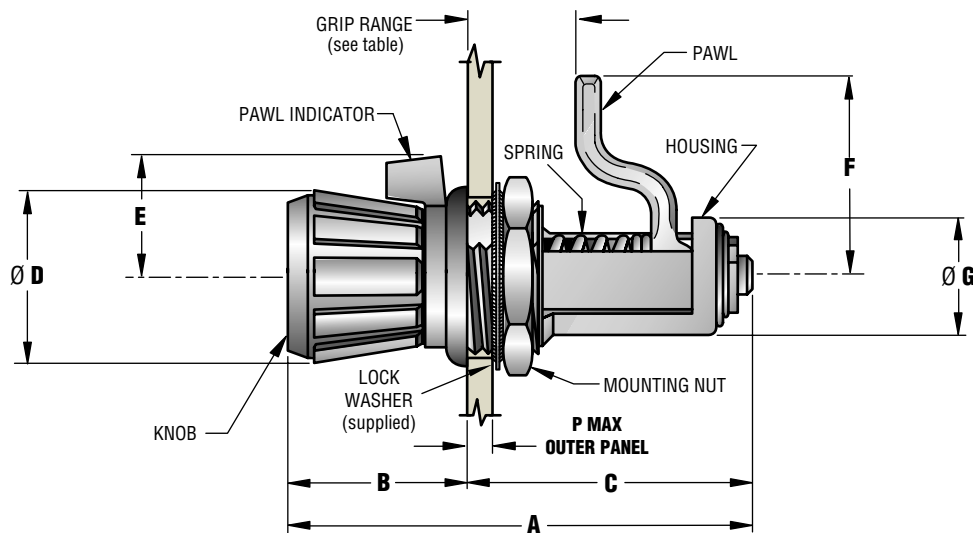
## Pawl Indicator Style



- Arrow indicates pawl position
- Single-hole installation
- An extra turn adjusts the amount of compression applied
- Three sizes

**500 series**  
**PART NUMBER**  
**16-10-511-16 •**



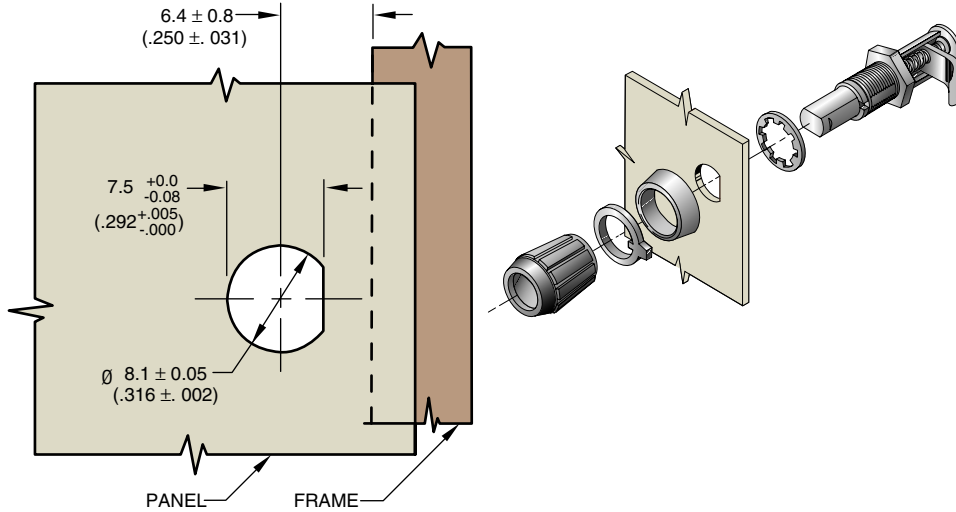
## 300 and 400 series (see table below for PART NUMBERS)



DIMENSIONS								GRIP		PART NUMBERS	Pawl position	Series	INSTALLATION					Pawl style and position (pre-assembled)
A	B	C	D	E	F	G	P	MIN.	MAX.				H	K	M	N		
													MIN.	MAX.				
54.8 (2.16)	21.8 (.86)	32.9 (1.30)	19 (.75)	12.7 (.50)	23 (.91)	15.5 (.61)	4.8 (.19)	1.6 (.063)	12.7 (.500)	16-10-311-14 •	V	300	19 (.750)	17.5 (.687)	8.7 (.344)	17.5 (.688)	20.6 (.813)	 
								9.5 (.375)	20.6 (.813)	16-10-312-14 •	X							
40.7 (1.60)	17.3 (.68)	23.4 (.92)	13.5 (.53)	9.1 (.36)	19 (.75)	11.5 (.45)	2.4 (.09)	1.6 (.063)	8.7 (.344)	16-10-411-14 •	V	400	14.3 (.562)	12.7 (.500)	6.4 (.250)	14.3 (.563)	17.5 (.688)	
								7.1 (.28)	14.3 (.563)	16-10-412-14 •	X							



## Installation (500 series)



## Material and Finish

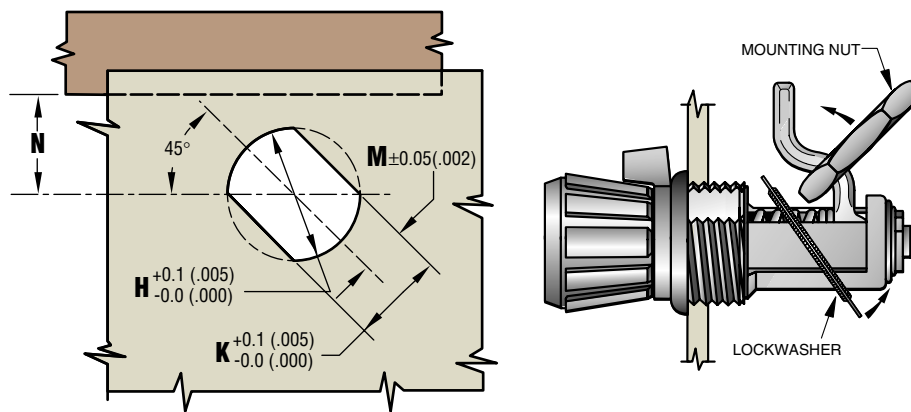
### (500 series)

SCREW and SLEEVE: 12L14 Steel. HOUSING: Low carbon steel. PAWL: 1010 Steel. LOCKWASHER: Spring steel. All components listed above are zinc plate, chromate plus sealer. BUSHING: 12L14 Steel, zinc plate chromate plus sealer or brass, natural. TRIM NUT and HEX NUT: 303 Stainless steel, passivated. COIL SPRING and PAWL INDICATOR: 302 Stainless steel, passivated. KNOB: Nylon, black.

### (300 and 400 series)

BUSHING: Low carbon steel. RETAINING WASHER: 1010 Steel. The components listed above are zinc plate, chromate plus sealer. LOCKWASHER: Spring steel, zinc immersion coating. SCREW: Low carbon steel with black organic coating. SPRING and CONICAL SPRING: 302 Stainless steel, passivated. PAWL: Die-cast zinc with chemical protective coating. MOUNTING NUT: 12L14 Steel, zinc plate, chromate plus sealer. KNOB: Nylon, black. HOUSING and PAWL INDICATOR: Die-cast zinc, chrome plated.  
**400 series:** LOCKWASHER: Spring steel, zinc plate chromate plus sealer.

## Installation (300 and 400 series)



## Installation

### (500 series)

1. Prepare panel.
2. Remove trim nut from latch assembly and install latch from back side of panel.
3. Tighten hex nut.
4. Align tang on inside diameter of indicator with slot in head of sleeve, slide into position and press knob over head of screw. **NOTE:** Neither knob nor latch can be removed once knob is pressed into position.

### (300 and 400 series)

1. Prepare panel.
2. Rotate knob to run pawl to back of housing.
3. Remove mounting nut and lockwasher.
4. Insert latch into hole by hooking pawl through hole, following through with housing.
5. Replace lockwasher and mounting nut and tighten.

## PRODUCT STRENGTH GUIDELINES

(To assist in your product selection; samples are available for your evaluation.)

Series	MAX. static load	Average ultimate load
300	335 N (75 lbs.)	445 N (100 lbs.)
400	220 N (50 lbs.)	330 N (75 lbs.)
500	135 N (30 lbs.)	200 N (45 lbs.)

Flammability Rating (Nylon knob): UL94 - HB

Operating Temperature Range (Nylon knob):  
-20°C (0°F) to 80°C (180°F)

millimeter (inch)  
millimeter  
(inch)

Dimensions without tolerances are for reference only.