

REV	DATE	DRAWN/CHKD	DESCRIPTION	PART NUMBER	PANEL THICKNESS		*B*	*L*	SCREW PROJECTION		*T*	MILLIMETERS
					A MIN.	*A* MAX.			*P-1*	*P-2*		
A	31OCT97	MDM	PRN: 47-272	47-W0-3X2-Y2	1.5	3.2	0.6	1.8	1.4	6.2	19	ALL DIMENSIONS WITHOUT TOLERANCES ARE FOR REFERENCE ONLY.
B	19MAR98	MDM	PRN: 47-299	47-W1-3X2-Y2	1.5	3.2	0.6	1.8	3.1	7.9	21	
C	01JUL99	MJS	PRN: 47-452	47-W2-3X2-Y2	1.5	3.2	0.6	1.8	4.1	8.9	22	
D	18JUL2005	CSC/MDY	PRN: P2005-0746	47-W3-3X2-Y2	1.5	3.2	0.6	1.8	6.1	10.9	24	
E	28MAR2006	RLR/MDY	PRN: P2006-0276	47-W0-3X4-Y2	3.2	4.8	1.6	3.4	3.1	7.9	21	
				47-W1-3X4-Y2	3.2	4.8	1.6	3.4	4.1	8.9	22	
				47-W2-3X4-Y2	3.2	4.8	1.6	3.4	6.1	10.9	24	
				47-W2-3X6-Y2	4.8	6.4	3.2	5	4.1	8.9	22	
				47-W3-3X6-Y2	4.8	6.4	3.2	5	6.1	10.9	24	
				47-W3-3X8-Y2	6.4	7.9	4.7	6.6	6.1	10.9	24	



MATERIAL AND FINISH:

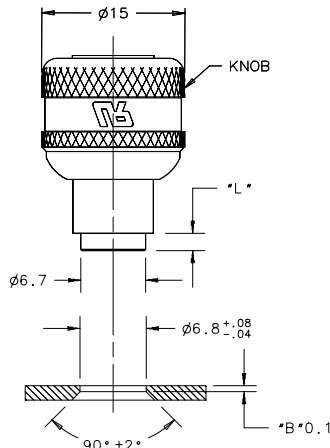
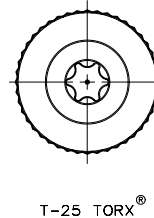
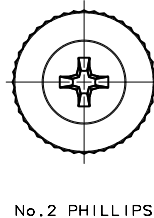
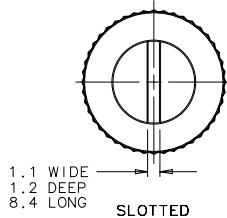
KNOB: ALUMINUM, NATURAL OR BLACK ORGANIC COATING.
SCREW: 1008 CASE HARDENED STEEL, ZINC PLATE CHROMATE PLUS SEALER OR BLACK ORGANIC COATING.
FERRULE: ALUMINUM, NATURAL
SPRING: 302 STAINLESS STEEL, PASSIVATED.
RATCHET MECHANISM: HARDENED STEEL, BLACK OXIDE.

W THREAD	*X* SCREW RECESS	*Y* FINISH ON KNOB & SCREW
1- 8-32	0- SLOTTED	2- NATURAL (BRIGHT)
8- M4	2- PHILLIPS	6- BLACK
	4- TORX®	

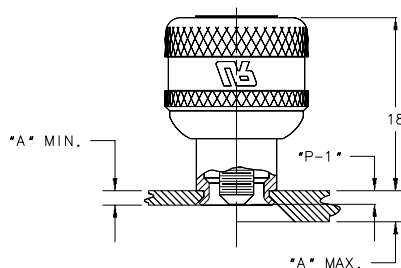
INSTALLATION INSTRUCTIONS:

1. PREPARE HOLE WITH COUNTERSINK ACCORDING TO THE REQUIRED "B" DIMENSION. RECOMMENDED MIN. DISTANCE FROM EDGE OF PANEL TO THE CENTERLINE OF THE HOLE IS 12.
2. INSERT FASTENER AND FLARE INTO COUNTERSUNK HOLE WITH INSTALLATION TOOL PART No. 47-108 OR 29-47-504-10.
3. HAND TIGHTEN FIRMLY TO ENGAGE THE RATCHET MECHANISM.

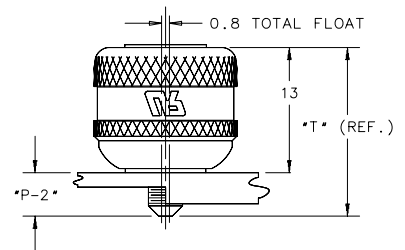
SCREW RECESS STYLES



PANEL PREPARATION



UNFASTENED



FASTENED