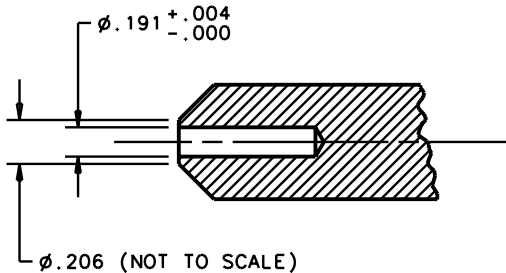


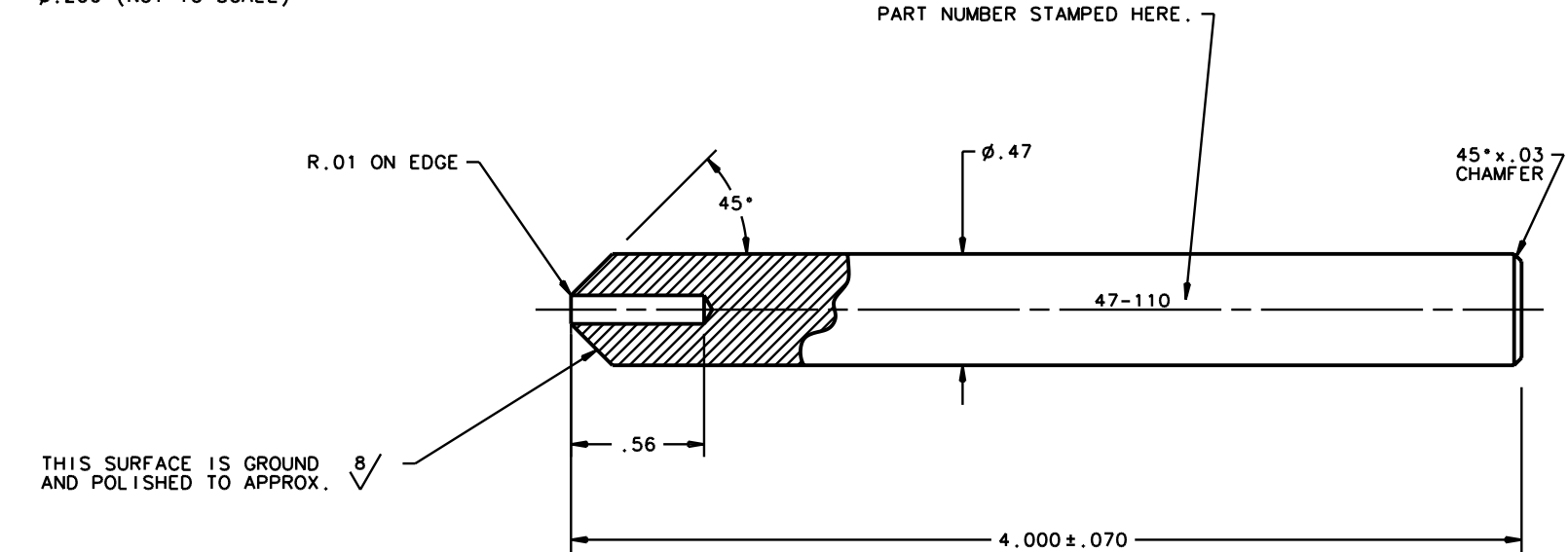
DATE	DRAWN	CHKD	SCALE	DRAWING NUMBER
05DEC94	A. J	A.C.Z	1 : 1	J-47-110

REV.	DATE	BY-CHKD	REVISIONS	PART NUMBER	MATERIAL	FINISH	HEAT TREAT
A	14MAY2002	KHO DLH	PRN: P2002-0209	47-110	AISI A-2	SEE NOTE A	HRC 56-60



NOTES:

- A. ZINC PLATED AND BAKED PER ASTM B633 TY. III SC.3 CHROMATE BRIGHT PRIOR TO FINISH GRINDING.
- B. A RUST PREVENTIVE IS APPLIED TO THE FINISHED GROUND SURFACE. A PROTECTIVE CAP IS PLACED ON THE FINISHED GROUND SURFACE.



FORMATA 3/88

PROPRIETARY ITEM - EXCEPT FOR USES EXPRESSLY GRANTED IN WRITING INFORMATION DISCLOSED HEREON IS CONFIDENTIAL AND ALL RIGHTS PATENT AND OTHERWISE ARE RESERVED BY SOUTHCO, INC.

TOLERANCES UNLESS OTHERWISE NOTED.  
 DECIMALS  
 TWO PLACE (.XX)  $\pm .010$     THREE PLACE (.XXX)  $\pm .005$   
 ANGLES  
 DEG.  $\pm 1^\circ$

DRAWING NUMBER  
**J-47-110**