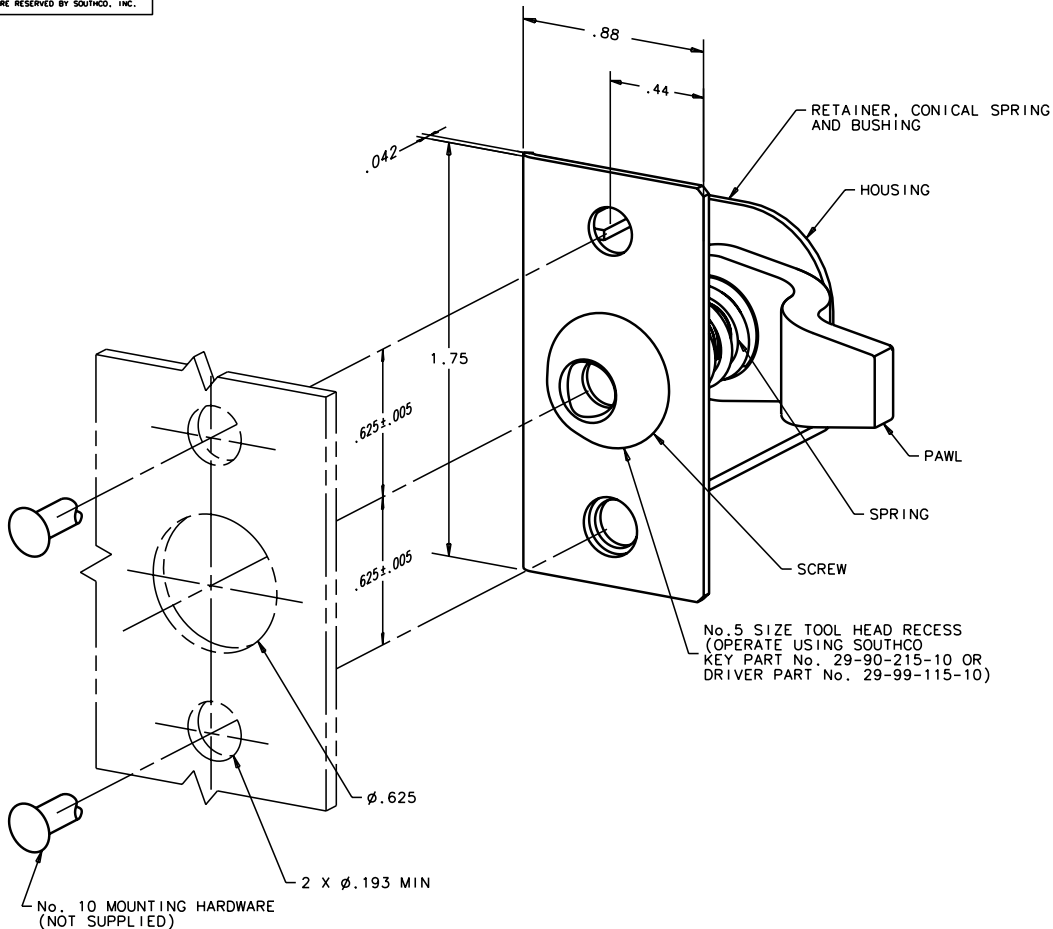


PROPRIETARY ITEM

EXCEPT FOR USES EXPRESSLY GRANTED BY SOUTHCO, INFORMATION DISCLOSED HEREON IS CONFIDENTIAL AND ALL RIGHTS, PATENT AND OTHERWISE, ARE RESERVED BY SOUTHCO, INC.



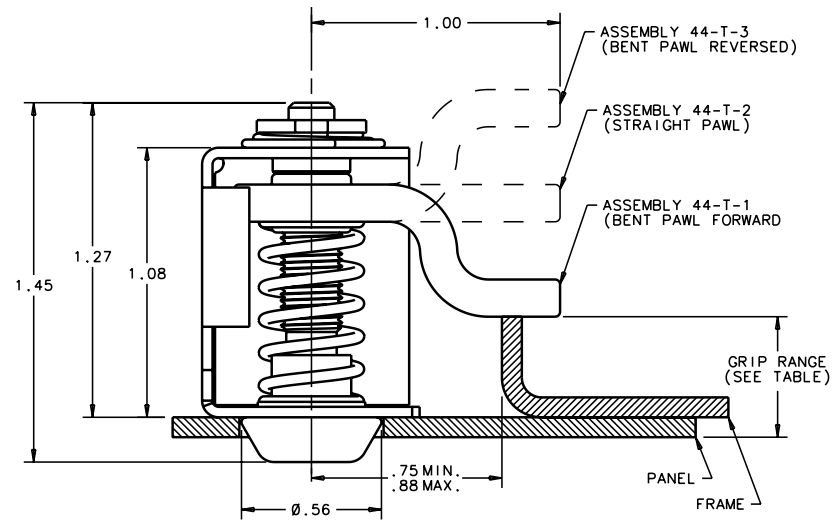
NOTES:

- A. ZINC PLATE, BRIGHT CHROMATE PLUS SEALER.
- B. THESE ASSEMBLIES ARE NON-REPAIRABLE ITEMS AND COMPONENTS ARE NOT AVAILABLE AS REPLACEMENT OR REPAIR PARTS.

ASSEMBLY No.	GRIP RANGE
44-T-1	.125 MIN. - .375 MAX.
44-T-2	.375 MIN. - .750 MAX.
44-T-3	.750 MIN. - 1.125 MAX.

REVISION HISTORY

REV	DATE	DRAWN	CHECKED	DESCRIPTION
H	22MAR2007	DAW	JSS	PRN: P2007-0117



SECTION DETAIL THROUGH PANEL

QTY	ITEM	PART NUMBER	MATERIAL	REMARKS
1	STRAIGHT PAWL	-	STEEL	SEE NOTE A
1	BENT PAWL	-	STEEL	SEE NOTE A
1	RETAINER WASHER	-	STEEL	SEE NOTE A
1	BUSHING	-	STEEL	SEE NOTE A
1	CONICAL SPRING	-	STAINLESS STEEL	PASSIVATED
1	SPRING	-	STAINLESS STEEL	PASSIVATED
1	HOUSING	-	STEEL	SEE NOTE A
1	SCREW	-	STEEL	SEE NOTE A
-	ASSEMBLY	44-T-3	-	PAWL REVERSED
-	ASSEMBLY	44-T-2	-	PAWL STRAIGHT
-	ASSEMBLY	44-T-1	-	PAWL FORWARD

44-T-3 44-T-2 44-T-1	THIRD ANGLE PROJECTION			 CONNECT. CREATE. INNOVATE.	
	ALL DIMENSIONS WITHOUT TOLERANCES ARE FOR REFERENCE ONLY.				
INCHES		SIZE B	SYSTEM I-DEAS	DWG NO J-44-T-0	
VOLUME XXXXXmm <sup>3</sup>	MASS XXXg	DRWN/CHKD JHV/	DATE 04AUG1988	SCALE 2:1	SHEET 1 OF 1