

southco

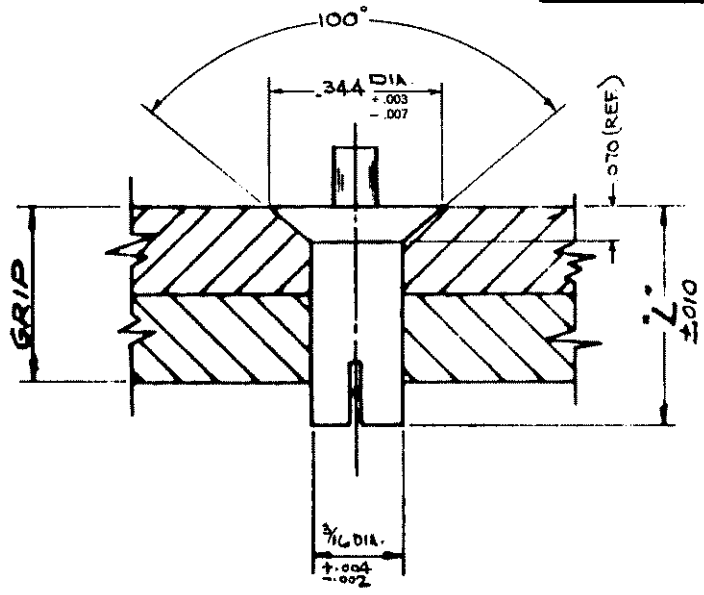
SOUTHCO No. 38 DRIVE RIVETS - ALUMINUM
3/16 DIA. 100° C'SK. HEAD

DATE	DRAWN	CHKD	SCALE	DRAWING NUMBER
5-31-90	JSS		N.T.S.	J-38-506-16

REV LET.	DATE	BY	CHKD	REVISIONS
A	27MAR86	AJH		PRN: 10-21
B	20NOV97	PJK	KCW	PRN: 38-249
C	11JUN12	CMS/CDW		PRN: P2011-1381

RIVET MATERIAL & FINISH				5052-H-32 ALUMINUM NATURAL			
PIN MATERIAL & FINISH				7075 ALUMINUM NATURAL			
NOMINAL GRIP	ACTUAL GRIP		"L"	ASSEMBLED RIVET PART NO			
	MIN.	MAX.					
3/16	.140	.234	1 1/32				
1/4	.203	.296	1 3/32		08		
5/16	.265	.359	1 5/32		10		
3/8	.328	.421	1 7/32		12		
7/16	.390	.484	1 9/32		14		
1/2	.453	.546	2 1/32		16		
9/16	.515	.609	2 3/32		18		
5/8	.578	.671	2 5/32		20		
11/16	.640	.734	2 7/32		22		
3/4	.703	.796	2 9/32		24		
13/16	.765	.859	3 1/32		26		
7/8	.828	.921	1 1/32		28		
15/16	.890	.984	1 3/32		30		
1"	.953	1.046	1 5/32			38-506-32-16	

RS	DATE	APP.
A		
B		
C		
D		



PROPRIETARY ITEM - EXCEPT FOR USES EXPRESSLY GRANTED IN WRITING, INFORMATION DISCLOSED HEREON IS CONFIDENTIAL AND ALL RIGHTS, PATENT AND OTHERWISE, ARE RESERVED BY SOUTHCO, INC.

DRAWING NUMBER
J-38-506-16