

southco

PROPRIETARY ITEM - EXCEPT FOR USES EXPRESSLY GRANTED IN WRITING INFORMATION DISCLOSED HEREON IS CONFIDENTIAL AND ALL RIGHTS PATENT AND OTHERWISE ARE RESERVED BY SOUTHCO, INC.

SOUTHCO DRIVE RIVET 1/8 DIA. UNIVERSAL HEAD-ALUMINUM RIVET

DATE: 3-30-56
DRAWN: ASK
CHKD: JKB
SCALE: 4:1

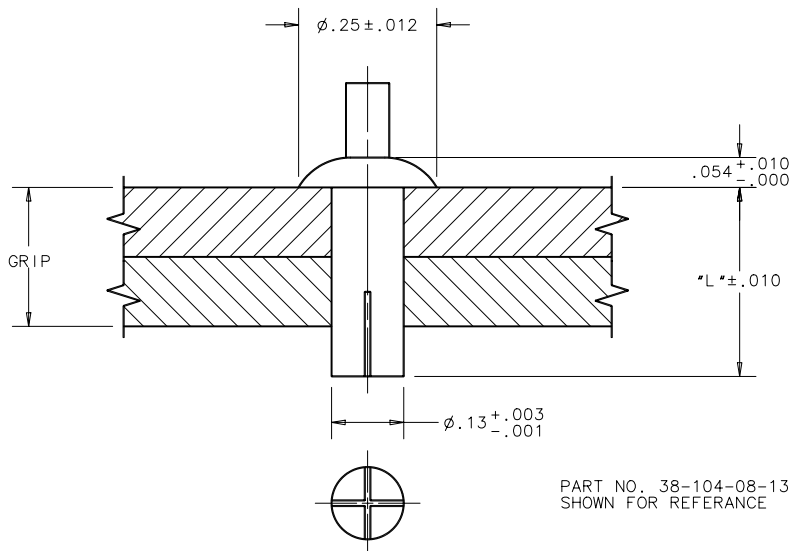
DRAWING NUMBER

J-38-104-13

REV.	DATE	DRAWN	REVISION	NOMINAL GRIP	ACTUAL GRIP		*L *	PART NO.	RIVET MATERIAL AND FINISH	PIN MATERIAL AND FINISH
					MIN	MAX				
A	3-30-64	ESK/TPS	PIN WAS TYPE 303 STAINLESS STEEL	.031	.015	.046	.156	38-104-01-13		
B	5-11-72	ESK/	ADDED PT. NO. 38-104-01-13	.063	.046	.078	.156	38-104-02-13		
C	2-6-76	SJM/	DRAWING NO. WAS J-38-71	.094	.078	.109	.187	38-104-03-13		
D	5-17-77	PEK/	PRN: 120-14	.125	.109	.140	.218	38-104-04-13		
E	9-2-82	SJM/	PRN: 38-104-18-13	.156	.140	.171	.250	38-104-05-13		
F	9-11-91	GW/	PRN: 38-163	.188	.171	.203	.281	38-104-06-13	5052 ALUMINUM NATURAL	302 STAINLESS STEEL NATURAL
G	05MAR93	JC/	PRN: S-1-03	.219	.203	.234	.312	38-104-07-13		
H	20SEP99	JHS/ESK	PRN: 38-282	.250	.234	.265	.343	38-104-08-13		
I	19MAY2004	AAB/RLR	PRN: P2004-0525	.281	.265	.296	.375	38-104-09-13		
J	26JUN2007	VSR/VGV	PRN: P2007-0814	.313	.296	.328	.406	38-104-10-13		
				.344	.328	.359	.437	38-104-11-13		
				.375	.359	.390	.468	38-104-12-13		
				.406	.390	.421	.500	38-104-13-13		
				.438	.421	.453	.531	38-104-14-13		
				.500	.484	.515	.588	38-104-16-13		
				.810	.796	.828	.906	38-104-26-13		

ALL DIMENSIONS WITHOUT TOLERANCES ARE FOR REFERENCE ONLY.

THIRD ANGLE PROJECTION
A4 PAPER SIZE



PART NO. 38-104-08-13
SHOWN FOR REFERENCE