

# southco®

PROPRIETARY ITEM - EXCEPT FOR USES EXPRESSLY GRANTED IN WRITING INFORMATION DISCLOSED HEREON IS CONFIDENTIAL AND ALL RIGHTS PATENT AND OTHERWISE ARE RESERVED BY SOUTHCO, INC.


SOUTHCO NO. 38 DRIVE RIVETS  
3/16 DIA. - BRAZIER HEAD - ALUMINUM

DATE	DRAWN	CHKD	SCALE	DRAWING NUMBER
31MAY90	JSS		4 : 1	J-38-206-16

REV.	DATE	DRAWN	REVISION
C	07FEB2001	SJT/CHW	PRN: 38-297

ASSEMBLED RIVET PART NUMBER	NOMINAL GRIP	ACTUAL GRIP		LENGTH "L"
		MIN.	MAX.	
38-206-02-16	1/16	.047	.141	.250
38-206-04-16	1/8	.078	.172	.281
38-206-06-16	3/16	.141	.234	.344
38-206-08-16	1/4	.203	.297	.416
38-206-10-16	5/16	.266	.359	.469
38-206-12-16	3/8	.328	.422	.531
38-206-14-16	7/16	.391	.484	.594
38-206-16-16	1/2	.453	.547	.656
38-206-18-16	9/16	.516	.609	.719
38-206-20-16	5/8	.578	.672	.781
38-206-22-16	11/16	.641	.734	.844
38-206-24-16	3/4	.703	.797	.906
38-206-26-16	13/16	.766	.859	.969
38-206-28-16	7/8	.828	.922	1.031
38-206-30-16	15/16	.891	.984	1.094
38-206-32-16	1	.953	1.047	1.156

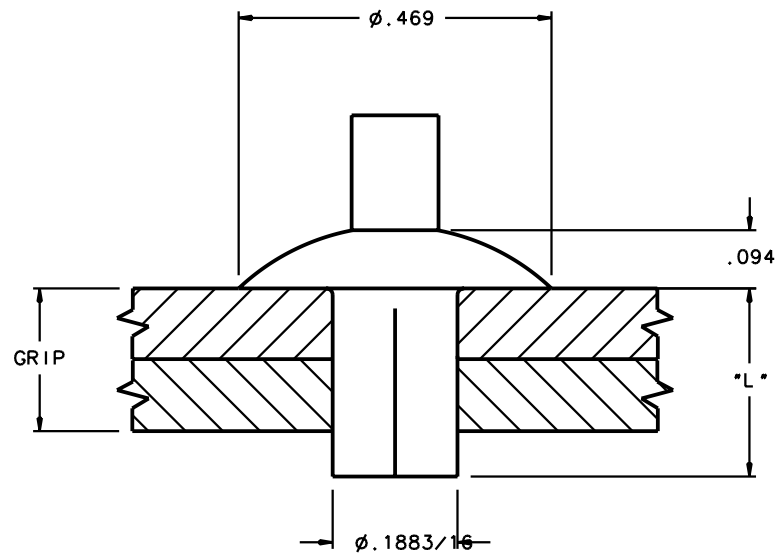
INCH DIMENSIONS  
DIMENSIONS WITHOUT TOLERANCES ARE FOR REFERENCE ONLY.



THIRD ANGLE PROJECTION

A4 PAPER SIZE

**MATERIAL AND FINISH:**  
RIVET: 2117 ALUMINUM, NATURAL  
PIN: 7075 ALUMINUM, NATURAL



INSTALLATION HOLE DIA. -  $.191 \pm \begin{matrix} .003 \\ .001 \end{matrix}$