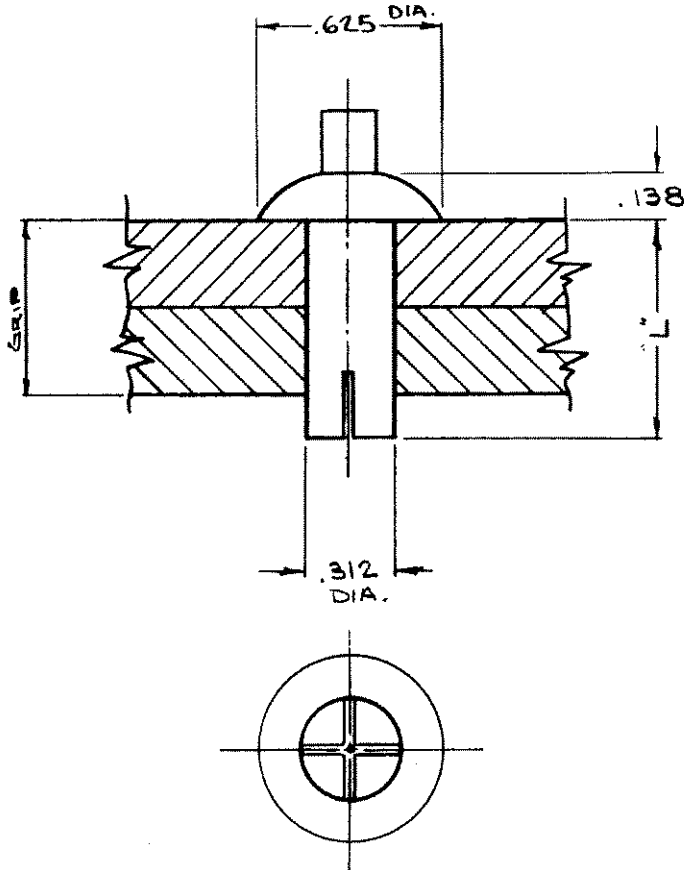




SOUTHCO DRIVE RIVETS
ALUMINUM UNIVERSAL HEAD

5/16 DIA

DATE	DRAWN	CHKD	SCALE	DRAWING NUMBER
4-20-77	SJM		N.T.S.	J-38-110-16



MATERIAL & FINISH				
RIVET: 2117		ALUMINUM - NATURAL		
PIN: 7075		ALUMINUM - NATURAL		
GRIP			"L"	ASSEMBLY NUMBER
MIN.	NOM.	MAX.		
.132	3/16	.242	7/16	38-110-06-16
.226	9/32	.336	17/32	- 09 -
.320	3/8	.430	5/8	- 12 -
.414	15/32	.523	23/32	- 15 -
.508	9/16	.617	13/16	- 18 -
.601	21/32	.711	29/32	- 21 -
.695	3/4	.804	1	- 24 -
.789	27/32	.898	1 3/32	- 27 -
.882	15/16	.992	1 3/16	- 30 -
.976	1 1/32	1.086	1 9/32	- 33 -
1.070	1 1/8	1.180	1 3/8	- 36 -
1.164	1 7/32	1.273	1 15/32	- 39 -
1.258	1 5/16	1.367	1 9/16	- 42 -
1.351	1 13/32	1.461	1 21/32	- 45 -
1.445	1 1/2	1.554	1 3/4	- 48 -
1.539	1 19/32	1.648	1 27/32	38-110-51-16

R.S.	DATE	APP
A		
B		
C		
D		

REV.	DATE	BY	CHKD.	REVISIONS
A	3-16-81	KLM		ADDED PRN: 38-110-51-16
B	3-29-82	JSL		PRN: 5-1-01
C	4-11-91	GWF		PRN: 38-163

PROPRIETARY ITEM-EXCEPT FOR USES EXPRESSLY GRANTED IN WRITING, INFORMATION DISCLOSED HEREON IS CONFIDENTIAL AND ALL RIGHTS, PATENT AND OTHERWISE, ARE RESERVED BY SOUTHCO, INC.

REV. A - 5 MAR 13 - JC - PRN: 5 1 03

DRAWING NUMBER
J-38-110-16