



PROPRIETARY ITEM - EXCEPT FOR USES EXPRESSLY GRANTED IN WRITING INFORMATION DISCLOSED HEREON IS CONFIDENTIAL AND ALL RIGHTS PATENT AND OTHERWISE ARE RESERVED BY SOUTHCO, INC.

DRIVE RIVET 3/8 DIAMETER
UNIVERSAL HEAD-ALUMINUM RIVET

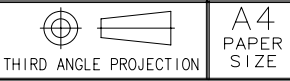
DATE	DRAWN	CHKD	SCALE
1-21-77	PEK		1 : 1

DRAWING NUMBER
J-38-112-16

REV.	DATE	DRAWN	REVISION
C	21FEB2005	RLR/VNI	PRN: P2005-0234

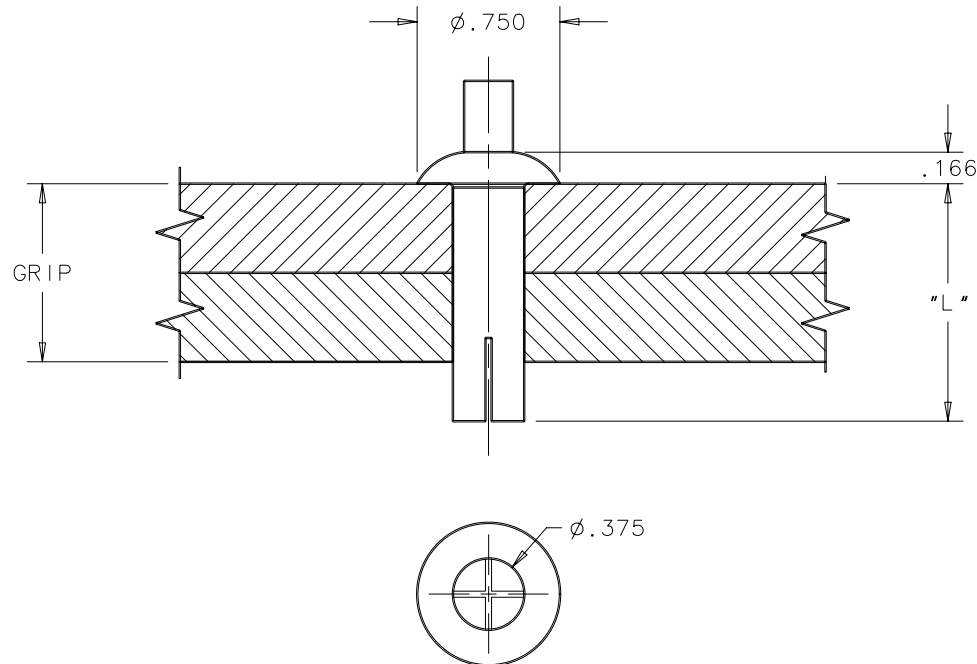
PART NUMBER	NOMINAL GRIP	ACTUAL GRIP		"L"
		MIN	MAX	
38-112-06-16	.188	.125	.250	.500
38-112-09-16	.281	.218	.343	.594
38-112-12-16	.375	.312	.437	.688
38-112-15-16	.469	.406	.531	.781
38-112-18-16	.563	.500	.625	.875
38-112-21-16	.656	.593	.718	.969
38-112-24-16	.750	.687	.813	1.063
38-112-27-16	.844	.781	.906	1.156
38-112-30-16	.938	.875	1.000	1.250
38-112-33-16	1.031	.968	1.093	1.344
38-112-36-16	1.125	1.062	1.187	1.438
38-112-39-16	1.219	1.156	1.281	1.531
38-112-42-16	1.313	1.250	1.375	1.625
38-112-45-16	1.406	1.343	1.468	1.719
38-112-48-16	1.500	1.437	1.562	1.813
38-112-51-16	1.594	1.531	1.656	1.906
38-112-54-16	1.688	1.625	1.750	2.000
38-112-57-16	1.781	1.718	1.844	2.094
38-112-60-16	1.875	1.813	1.937	2.188

INCHES
ALL DIMENSIONS WITHOUT TOLERANCES ARE FOR REFERENCE ONLY.



NOTES:

- A. MATERIAL AND FINISH:
RIVET - ALUMINUM, NATURAL
PIN - 7075 ALUMINUM, NATURAL



PART No. 38-112-30-13 SHOWN