

southco®

PROPRIETARY ITEM - EXCEPT FOR USES EXPRESSLY GRANTED IN WRITING INFORMATION DISCLOSED HEREON IS CONFIDENTIAL AND ALL RIGHTS PATENT AND OTHERWISE ARE RESERVED BY SOUTHCO, INC.

DRIVE RIVETS $\phi 5/32$
100° COUNTERSUNK HEAD - ALUMINUM RIVET

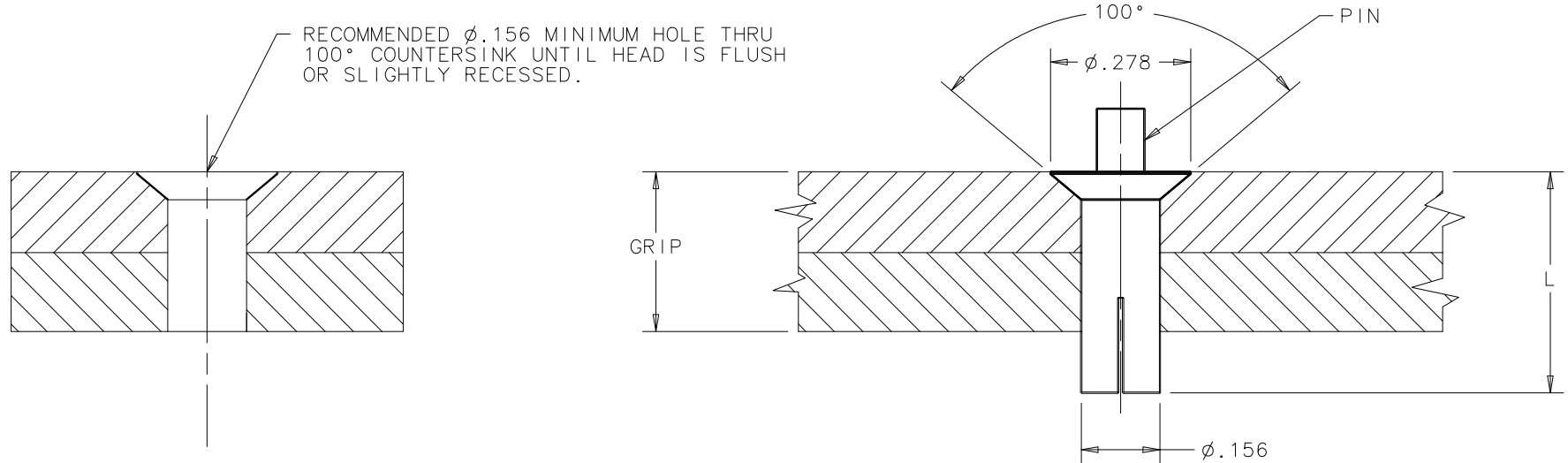
DATE: 11-20-74
DRAWN: PEK
CHKD:
SCALE: 3:1

DRAWING NUMBER: J-38-505-13

REV	DATE	DRAWN/CHKD	DESCRIPTION	ASSEMBLY	GRIP RANGE			L ±.010
					MIN	NOM	MAX	
A	18NOV2011	CMS/JCK	PRN: P2011-1523					
				38-505-04-13	.11	.13	.15	.250
				38-505-05-13	.14	.16	.18	.281
				38-505-06-13	.16	.18	.20	.313
				38-505-07-13	.20	.22	.24	.344
				38-505-08-13	.23	.25	.27	.375
				38-505-09-13	.26	.28	.30	.406
				38-505-10-13	.29	.31	.33	.438
				38-505-11-13	.32	.34	.36	.469
				38-505-12-13	.36	.38	.40	.500
				38-505-13-13	.39	.41	.43	.531
				38-505-14-13	.42	.44	.46	.563
				38-505-15-13	.45	.47	.49	.594
				38-505-16-13	.48	.50	.52	.625
				38-505-17-13	.51	.53	.55	.656
				38-505-18-13	.54	.56	.58	.688
				38-505-19-13	.57	.59	.61	.719
				38-505-20-13	.61	.63	.65	.750

INCHES
TOLERANCES UNLESS OTHERWISE NOTED
TWO PLACE (.XX) ±.01
THREE PLACE (.XXX) ±.005
ANGLES ±1°
THIRD ANGLE PROJECTION
A PAPER SIZE

- NOTES:
- A. HEAD TO BE CONCENTRIC WITH SHANK WITHIN .015 T.I.R.
 - B. HEAD DIAMETER CAN BE FORMED TO A SHARP EDGE PROVIDING HEAD CAN BE TUMBLED TO DIMENSIONS SHOWN.
 - C. PART SHOWN: 38-505-14-13



PANEL PREP

INSTALLATION

1. INSERT RIVET INTO PREDRILLED HOLE
2. DRIVE PIN INTO RIVET UNTIL PIN IS FLUSH WITH RIVET HEAD