



# 19 Swell Action Latch

## Plastic

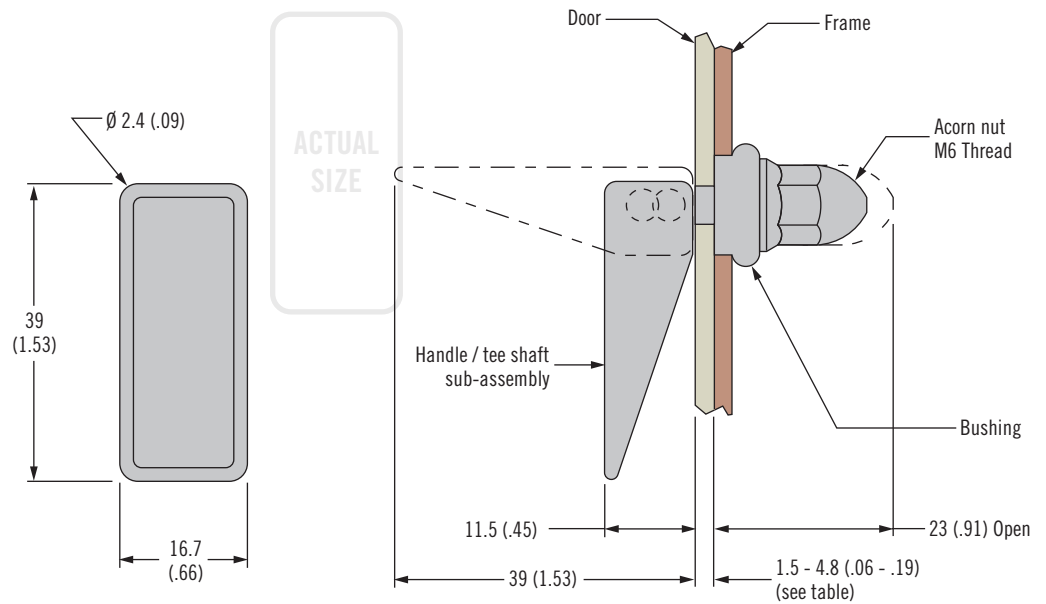
- Accommodates misalignment
- Vibration dampening

### Material and Finish

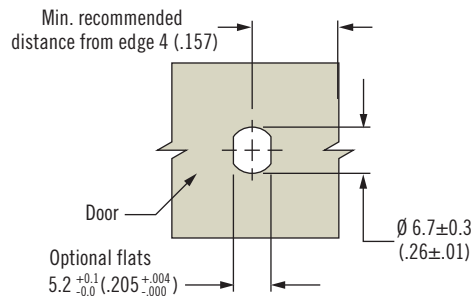
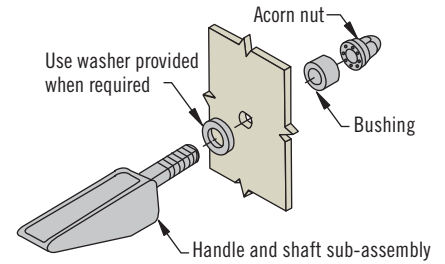
Nylon and glass-filled nylon black with rubber bushing

### Performance Details

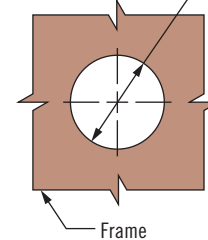
Frame thickness	Rated load (short term)
1.5 (.059)	400 N (90lbf)
2.5 (.098)	690 N (155lbf)
3.2 (.125)	620 N (140lbf)
4.8 (.190)	190 N (43lbf)



Door Thickness	Use Washer?	Adjustment Required
$1.7 \pm 0.2 (.07 \pm .01)$	Yes	No
1.9 - 2.3 (.08 - .09)	Yes	Yes
$2.5 \pm 0.2 (.10 \pm .01)$	No	No
2.7 - 4.8 (.11 - .19)	No	Yes



$\varnothing 13.7 \pm 0.3 (.54 \pm .01)$  for frame thickness up to 3.2 (.13)  
 $\varnothing 14.1 \pm 0.3 (.56 \pm .01)$  for frame thickness 3.2 - 4.8 (.13 - .19)



### Part Number

See table

Part Number	Packaging
19-51-01	Components bulk packaged
19-54-01	1 Assembly per bag

Other options available. For complete details on variety, part numbers, installation and specification, go to

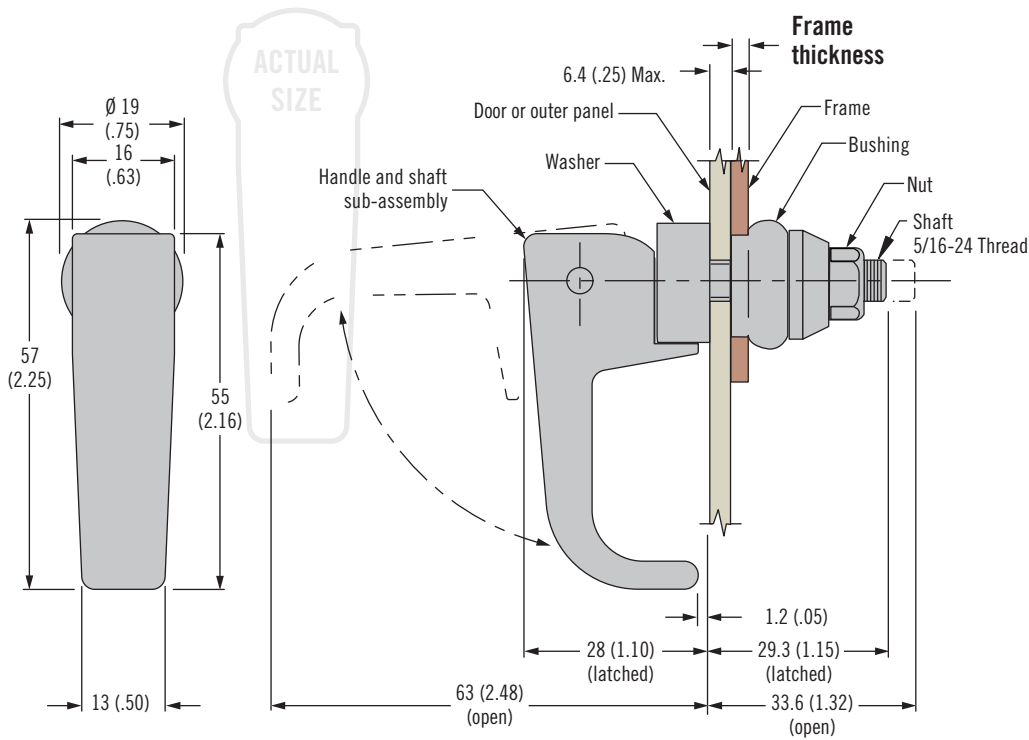
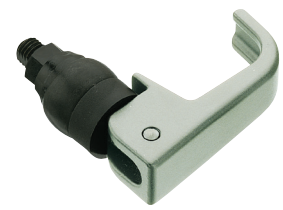


[www.southco.com/19](http://www.southco.com/19)

Dimensions in millimeters (inch) unless otherwise stated

# 19 Swell Action Latch

Stainless Steel · Zinc



- Accommodates misalignment
- Vibration dampening

### Material and Finish

Zinc alloy, black powder coated, acetal and rubber bushing

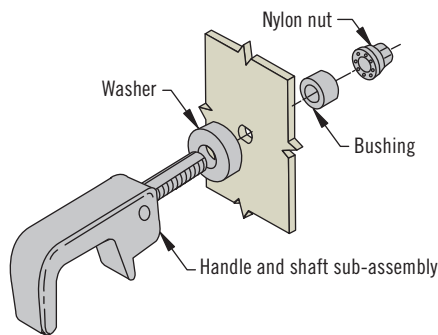
Stainless steel, natural or polished, acetal and rubber bushing.

### Performance Details

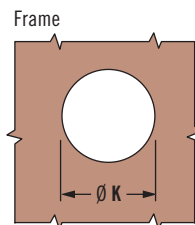
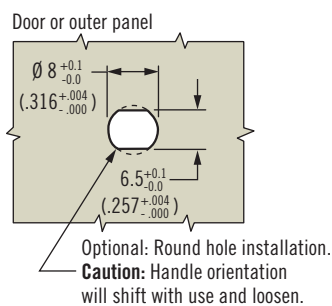
Frame thickness	Rated load (short term)
1.2 (.05) to 3.2 (.13)	330 N (75 lbf)
3.2 (.13) to 4.8 (.19)	660 N (150 lbf)
4.8 (.19) to 6.4 (.25)	550 N (125 lbf)
6.4 (.25) and Up	220 N (50 lbf)

### Installation Notes

Maximum tightening torque on mounting nut: 1.0 N·m (9 in·lbf)



Frame Thickness	$\phi K$ <sup>+0.5 (.031)</sup> <sub>-0.0 (.000)</sub>
1.2 - 3.2 (.05 - .13)	19 (.750)
3.2 - 4.8 (.13 - .19)	19.5 (.766)
4.8 - 6.4 (.19 - .25)	20 (.781)
6.4 (.25) and up	20.5 (.797)



### Part Number

See table

Material	Part Number	Finish
Zinc alloy	19-14-10	Black powder coated
Stainless Steel	19-14-23	Natural
Stainless Steel	19-14-24	Polished

Other options available. For complete details on variety, part numbers, installation and specification, go to



[www.southco.com/19](http://www.southco.com/19)



# 19 Swell Action Latch

## Plastic · Flush

- Flush low profile design
- Accommodates misalignment
- Vibration resistant

### Material and Finish

Nylon black with stainless steel mounting bracket and rubber bushing

Set tool: 1095 Steel, zinc plated

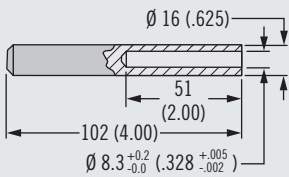
### Performance Details

Series	Frame thickness	Rated load (short term)
19-83-10	0.5 - 3.2 (.016 - .13)	180 N (40lbf)
19-93-10	0.5 - 3.2 (.016 - .13)	440 N (100lbf)
	3.2 - 4.8 (.125 - .19)	330 N (75lbf)

### Installation notes

Position bracket and retainer over stud and strike set tool. Adjust mounting nut to set latching tension.

Set tool

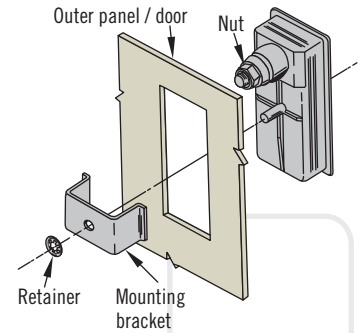
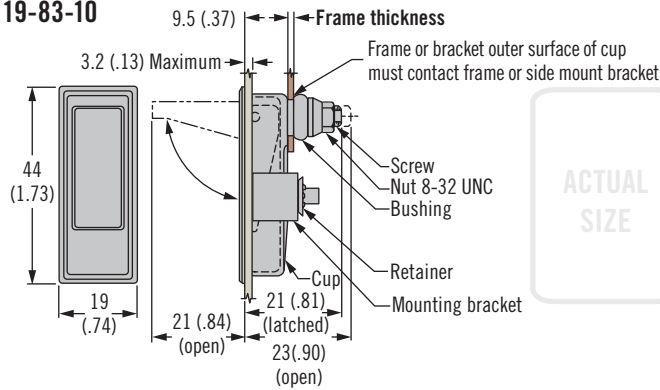


Tool part number: 17-10019-11

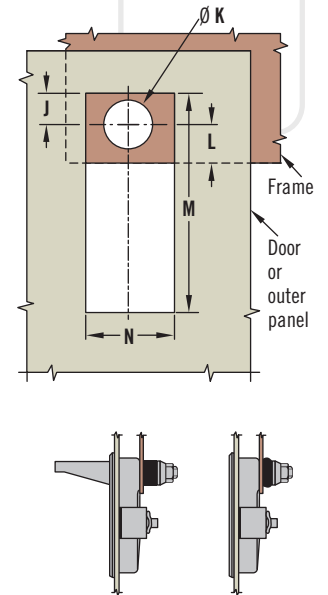
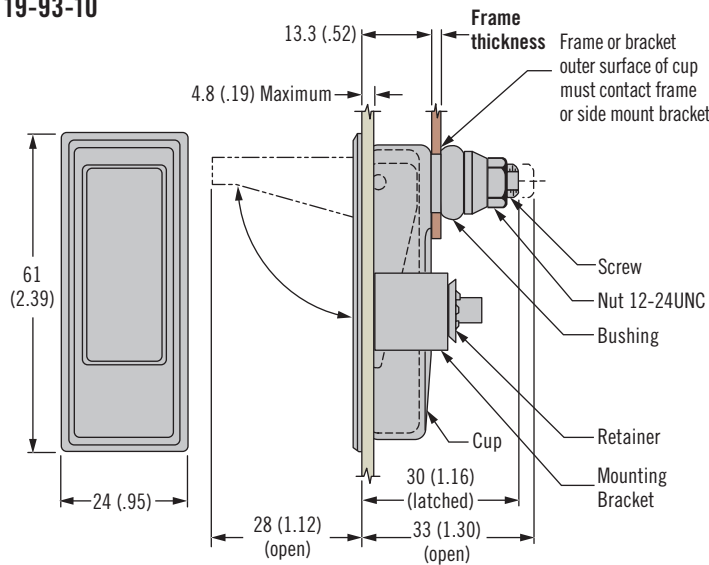
### Part Number

See table

### 19-83-10



### 19-93-10



Part Number	Max. Misalignment Between Centerlines of Panel Hole and Frame Hole	Frame or Bracket					Outer Panel / Door	
		Rated Load (Short Term)	Frame Thickness	J±0.3 (.010)	Ø K +0.5 (.020) -0.0 (.000)	L Max.	M	N
19-83-10	0.4 (.015)	180 N (40lbf)	3.2 (.13) Max.	6 (.234)	9.5 (.375)	11 (.45)	41.5 <sup>+0.4</sup> <sub>-0.0</sub> (+.005 <sub>-0.0</sub> )	16.5 <sup>+0</sup> <sub>-0.4</sub> (.640 <sup>+0</sup> <sub>-.005</sub> )
19-93-10	0.6 (.025)	440 N (100lbf)	Up to 3.2 (.13)	8 (.312)	13.5 (.531)	15 (.56)	57.5±.02 (2.265±.005)	20.5 <sup>+0.4</sup> <sub>-0.0</sub> (.812 <sup>+0.4</sup> <sub>-.005</sub> )
	0.8 (.030)	330 N (75lbf)	3.2 - 4.8 (.13 - .19)		14 (.56)			

Dimensions in millimeters (inch) unless otherwise stated

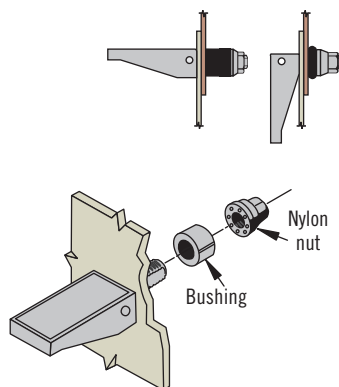
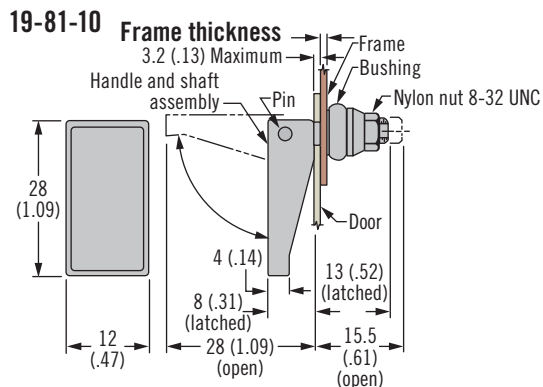
Other options available. For complete details on variety, part numbers, installation and specification, go to



[www.southco.com/19](http://www.southco.com/19)

# 19 Swell Action Latch

## Plastic



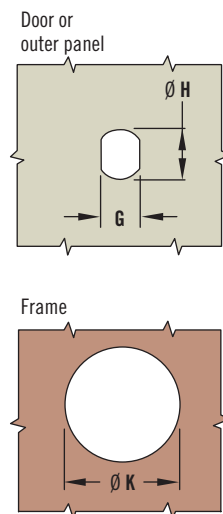
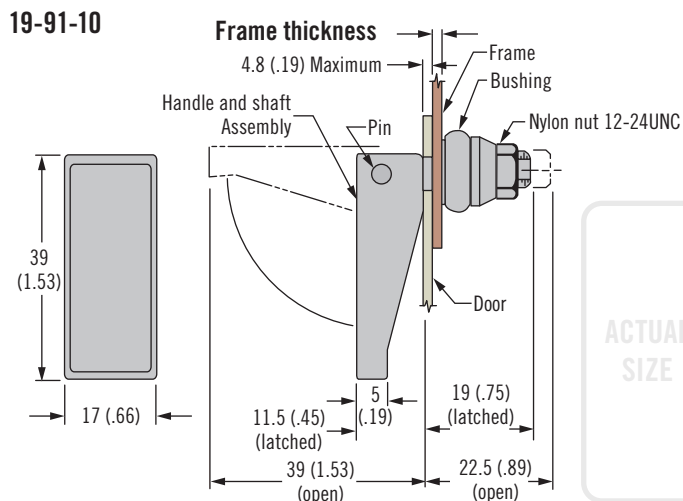
- Accommodates misalignment
- Vibration dampening

### Material and Finish

Nylon and glass-filled nylon black with rubber bushing

### Performance Details

Series	Frame thickness	Rated load (short term)
19-81-10	0.5 - 3.2 (.016 - .13)	180 N (40lbf)
19-91-10	0.5 - 3.2 (.016 - .13)	440 N (100lbf)
	3.2 - 4.8 (.125 - .19)	330 N (75lbf)

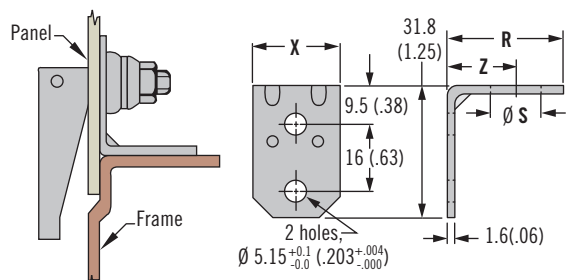


### Installation notes

Maximum tightening torque on mounting nut: 1 N•m (9 in•lbf)

Part Number	G +0.1 (+.004) -0.0 (-.000)	H +0.1 (+.004) -0.0 (-.000)	Frame Thickness	K +0.5 (+.030) -0.0 (-.000)
19-81-10	3.3 (.130)	4.1 (.161)	3.2 (.13) Maximum	9.5 (.375)
19-91-10	4.5 (.177)	5.8 (.228)	Up to 3.2 (.13)	13.5 (.531)
			3.2 - 4.8 (.13 - .19)	14 (.547)

### Accessories - Side mount bracket



Latch Part Number	$\phi S$	R	X	Z	Bracket Part Number
19-81-10 and 19-83-10	9.5 (.38)	27 (1.06)	20.5 (.81)	16.7 (.66)	19-0-15666-11
19-91-10 and 19-93-10	13.5 (.53)				19-0-15665-11

### Part Number

See table

Other options available. For complete details on variety, part numbers, installation and specification, go to



[www.southco.com/19](http://www.southco.com/19)

# Southco® Quarter-turn Fasteners

## Swell Action Series

- No receptacle required
- Vibration-resistant
- Two sizes, two head styles
- Use in nearly any material and in blind applications



### Material and Finish

WING: 1010 Steel, zinc plate, chromate plus sealer. SLOTTED HEAD STUDS: 1008 Steel, zinc plate, chromate plus sealer. SLEEVE: SBR Rubber. STATIONARY CAM: Acetal, black. MOVING CAM: Die-cast zinc, black organic coating.

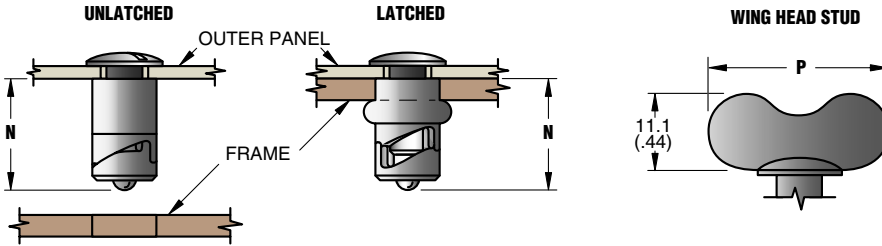
Studs are bulk packaged.  
Sleeves and cams are packaged one set per bag.

### Product Strength Guidelines

(To assist in your product selection; samples are available for your evaluation.)

**SERIES 20:** Maximum static load 180 N (40 lbs.)  
Average ultimate load 330 N (75 lbs.)  
**SERIES 50:** Maximum static load 220 N (50 lbs.)  
Average ultimate load 440 N (100 lbs.)

Flammability Rating: UL94-HB  
Operating Temperature Rating: 0°C (30°F) to 65°C (150°F)



NOTE: Swell latches hold panels snug under short term intermittent loading. Do not apply continuous load.

YOUR OUTER PANEL THICKNESS		F REF.	ASSEMBLY PART NUMBERS		
MIN.	MAX.		L	With Oval Head Stud	With Wing Head Stud

#### SERIES 20

MIN.	MAX.	F REF.	L	With Oval Head Stud	With Wing Head Stud
1.3 (.050)	1.8 (.069)	17.5 (.69)	13.6 (.535)	84-20-060-10 •	84-20-060-20 •
1.8 (.070)	2.3 (.089)	18 (.71)	14.1 (.555)	84-20-080-10 •	84-20-080-20
2.3 (.090)	2.8 (.109)	18.5 (.73)	14.6 (.575)	84-20-100-10 •	84-20-100-20
2.8 (.110)	3.3 (.129)	19.1 (.75)	15.1 (.595)	84-20-120-10 •	84-20-120-20

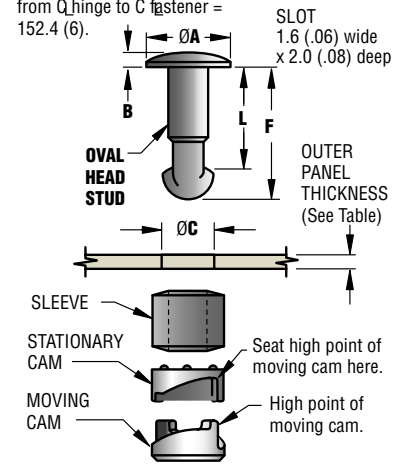
#### SERIES 50

MIN.	MAX.	F REF.	L	With Oval Head Stud	With Wing Head Stud
1.3 (.050)	1.8 (.069)	21.3 (.84)	16.6 (.654)	84-50-060-10 •	84-50-060-20 •
1.8 (.070)	2.3 (.089)	21.8 (.86)	17.1 (.674)	84-50-080-10 •	84-50-080-20 •

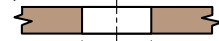
SERIES	DIMENSIONS												
	A	B	C	D	E	G	H	J	K	M	N	O	P
20	9.5 (.38)	2.3 (.09)	6.4 (.25)	11.1 (.44)	12.7 (.50)	11.9 (.47)	17.5 (.69)	152.4 (6.00)	11.1 (.44)	33.3 (1.31)	15.9 (.63)	9.7 (.39)	22.2 (.88)
50	14.3 (.56)	3.0 (.12)	7.9 (.31)	13.5 (.53)	15.9 (.63)	20.6 (.813)	20.6 (.813)	139.7 (5.50)	14.3 (.56)	30.2 (1.19)	19.8 (.78)	14.6 (.58)	28.6 (1.13)

### Assembly

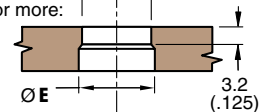
NOTE: On hinged doors, minimum mounting distance from Q hinge to C fastener = 152.4 (6).



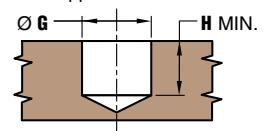
A. When frame thickness is 3.2 (.125) or less:



B. When frame thickness is 3.2 (.125) or more:



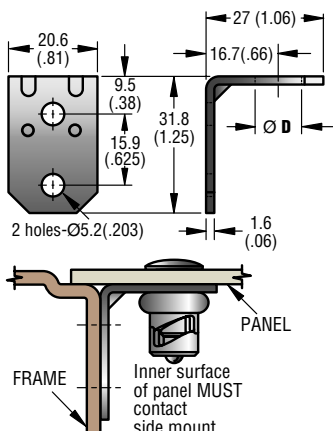
C. For blind hole applications:



millimeter (inch)  
millimeter (inch)

Dimensions without tolerances are for reference only.

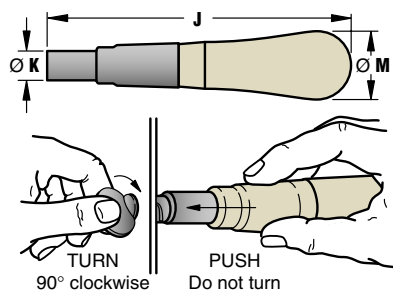
### Side Mount Bracket



**Bracket Material and Finish**  
Steel, zinc plated, yellow chromate dip.

### Installation Tool

(Order separately by part number)



BRACKET PART NUMBERS	
SERIES 20	SERIES 50
84-0-15742-11 •	19-0-15665-11 •

TOOL PART NUMBERS	
SERIES 20	SERIES 50
82-0-14719-11 •	41-0-12125-11 •