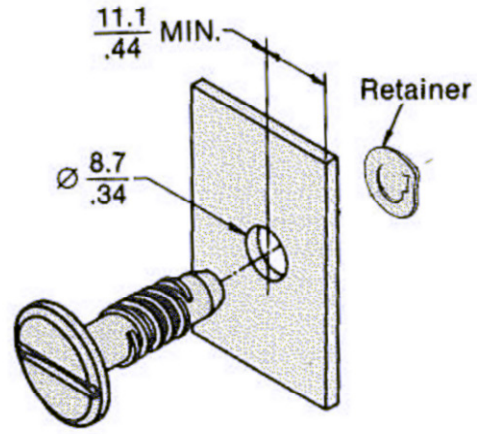


PART NUMBER
5052 aluminum, natural 17-10014-12 ■
302 stainless steel, passivated 17-10014-26 ■



To flatten washer,
sharply strike tool
or head of screw.

