

Vacuum pump EVE-TR 250 AC3 F

Part no.: 10.03.01.00267

<https://www.schmalz.com/10.03.01.00267>



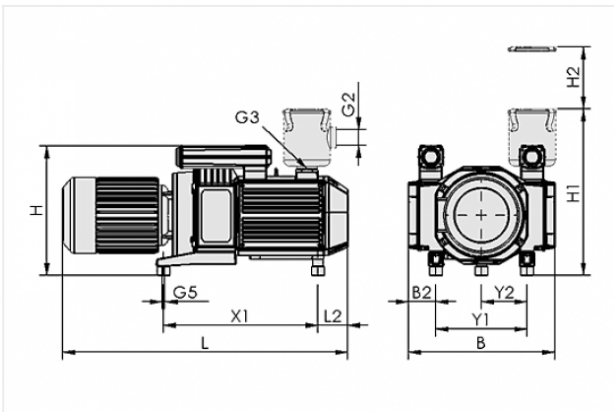
Homepage > Vacuum Technology for Automation > Vacuum Components > Vacuum Generators > Vacuum Pumps > Dry-Running Vacuum Pumps
EVE-TR > EVE-TR 250 AC3 F

Oil-free pump with constant suction rate, robust, requires little maintenance



Noise level (50 Hz): 77 dB
Voltage (50 Hz): 400V \pm 10%
Voltage (60 Hz): D460V \pm 10%
Voltage (60 Hz-opt): 400V \pm 10%
with: Filter
Suction rate (50 Hz): 244 m³/h
Suction rate (60 Hz): 286 m³/h
Vacuum (50Hz): -800 mbar
Permission: IE2
Rated power (50 Hz): 5.5 kW
Rated power (60 Hz): 6.6 kW
Weight: 222 kg

Design Data



Attribute	Value
B	644 mm
B2	116 mm
G3	G2-1/2"-F
G5	M10-F
H	530 mm
L	1059 mm
L2	123.8 mm
X1	645 mm
Y1	380 mm
Y2	190 mm

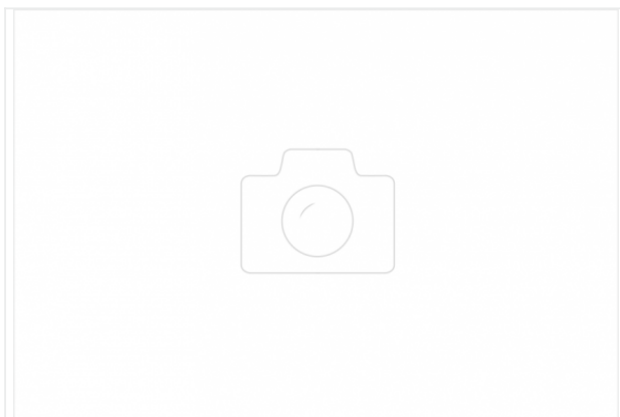
Contact to Schmalz

J. Schmalz GmbH | Johannes-Schmalz-Straße, 72293 Glatten, Deutschland | +49 7443 2403-102 | customercenter@schmalz.de

Technical Data

Attribute	Value
Suction rate (50 Hz)	244 m ³ /h
Suction rate (60 Hz)	286 m ³ /h
Voltage (50 Hz)	400V ±10%
Voltage (60 Hz)	D460V ±10%
Rated power (50 Hz)	5.5 kW
Rated power (60 Hz)	6.6 kW
Current type	AC3
Noise level (50 Hz)	77 dB
Weight	222 kg
Protection	IP 55

Spare Parts



VST EVE-TR-250

Part no. 10.03.01.00299

Set of parts subject to wear pump

for: Pump EVE-TR

Size: 250

contains: Brush slide/Filter