

# vacuum area gripper

## FX-SW 120x60 20x20 N10 10

<https://www.schmalz.com/10.01.11.01802>



Part no.: 10.01.11.01802

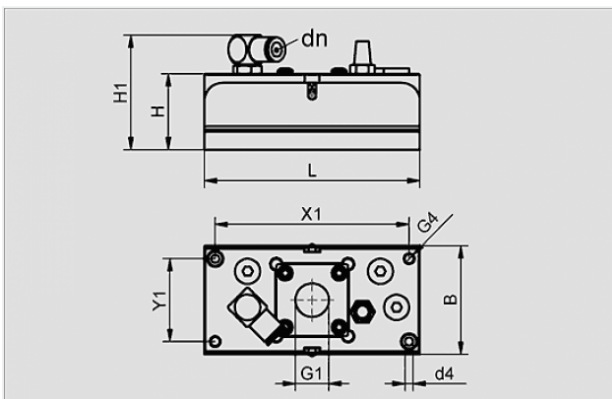
Homepage > Vacuum Technology for Automation > Vacuum Components > Area Gripping Systems and End Effectors > Vacuum Area Gripping System FX/FM > Large-Area Gripper System FX-SW > FX-SW 120x60 20x20 N10 10

### Vacuum area gripping system with flow resistors



Length L: 120 mm  
 Width B: 60 mm  
 Internal diameter d: 0.6 mm  
 Material-Type: Foam N, Height 10 mm  
 Air consumption: 117 l/min  
 Number of suction cells: 10 Stk  
 grid: 20 x 20 mm

### Design Data



Attribute	Value
L	120 mm
B	60 mm
H	42.1 mm
H1	63.6 mm
dn	8 mm
X1	108 mm
G4	M6-F
Y1	46 mm
G1	G1/2"-F
d4	4.5 mm

### Contact to Schmalz

J. Schmalz GmbH | Johannes-Schmalz-Straße, 72293 Glatten, Deutschland | +49 7443 2403-102 | [customercenter@schmalz.de](mailto:customercenter@schmalz.de)

## Technical Data

Attribute	Value
Number of suction cells	10 Stück
Air consumption	117 l/min
Suction rate (max)	69 l/min
Degree of evacuation	80 %
Holding force (60% vacuum)	98 N
Weight	0.7 kg

## Accessories



### VAM 40 V U

Part no. 10.07.02.00046

Vacuum gauge (manometer) for analogue measurement and monitoring of the vacuum

External diameter D: 40 mm

Measuring range: -1.00 ... 0.00 bar

Shape: Connection at bottom

Vacuum connection: G1/8-M



### VS-MONT 50x15.8x25 VS

Part no. 10.06.02.00343

Vacuum switch (inst)

Length L: 50 mm

Width B: 15.8 mm

Height H: 25 mm

for: Vacuum switch

SO: Standing mountable

## Contact to Schmalz



**ASK WB-M8-4 5000 K-4P**

Part no. 10.06.02.00032

Connection cable

Interface Connection cable:

Elbow fem con M8, 4 pol

Cable length: 5000 mm

Interface Connection cable: Cable 4

Material: PUR-Cable