

Bellows suction cup (round)

<https://www.schmalz.com/10.01.06.01128>



FSGA-B40 SI-50 G1/8-IG

Part no.: 10.01.06.01128

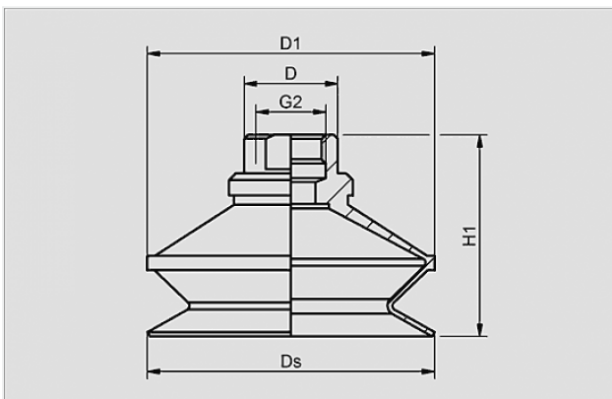
Homepage > Vacuum Technology for Automation > Vacuum Components > Vacuum Suction Cups > Bellows Suction Cups (Round) > Bellows Suction Cups FSGA-B (1.5 Folds) > FSGA-B40 SI-50 G1/8-IG

Bellows suction cup (round) with 1.5 bellows



Size: 40
Suction cup material: Silicone SI
Material hardness: 50 °Sh
Vacuum connection: G1/8"-F
Number of folds: 1.5

Design Data



Attribute	Value
-----------	-------

D	15 mm
D1	46 mm
Ds	40 mm
H1	36 mm

Technical Data

Attribute	Value
Number of folds	1.5
Suction cup material	Silicone SI
Weight	14.6 g

Contact to Schmalz

J. Schmalz GmbH | Johannes-Schmalz-Straße, 72293 Glatten, Deutschland | +49 7443 2403-102 | customercenter@schmalz.de

Attribute**Value**

Product family

FSGA-B

Spare Parts**SA-NIP G1/8-IG**

Part no. 10.01.01.10936

Suction cup connection nipple

Thread G1: G1/8-F

Fitting length: 15 mm

Material: Aluminium

**FGA-B 40 SI-50**

Part no. 10.01.06.01093

Bellows suction cup (round) with 1.5 bellows

Size: 40

Number of folds: 1.5

Suction cup material: Silicone SI

Material hardness: 50 °Sh
