

Bellows suction cup (round)

<https://www.schmalz.com/10.01.06.00101>



FSGPL 150 NBR-55 G1/2-IG

Part no.: 10.01.06.00101

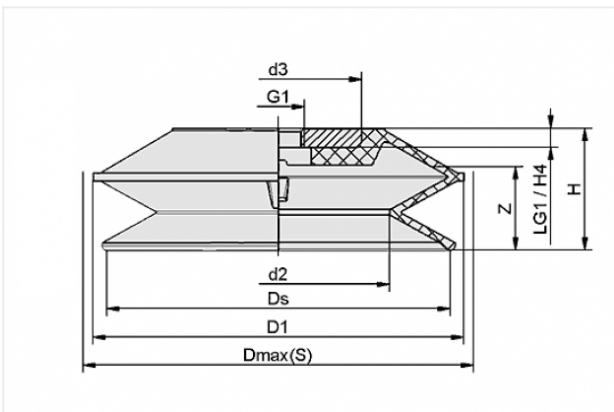
Homepage > Vacuum Technology for Automation > Vacuum Components > Vacuum Suction Cups > Bellows Suction Cups (Round) > Bellows Suction Cups FSGPL (1.5 Folds) > FSGPL 150 NBR-55 G1/2-IG

Bellows suction cup (round) for large, heavy and uneven workpieces



Size: 150
Suction cup material:
Nitrile rubber NBR
Material hardness: 55 °Sh
Vacuum connection: G1/2-F
Nipple material: Steel
Number of folds: 1.5

Design Data



Attribute	Value
-----------	-------

d2	93 mm
d3	69.4 mm
D1	155 mm
Dmax(S)	160 mm
Ds	143.5 mm
G1	G1/2"-F
H	51 mm
H4	8 mm
LG1	8 mm
Z	35.7 mm

Contact to Schmalz

J. Schmalz GmbH | Johannes-Schmalz-Straße, 72293 Glatten, Deutschland | +49 7443 2403-102 | customercenter@schmalz.de

Technical Data

Attribute	Value
Suction force	370 N
Pull-off force	500 N
Volume	449.339 cm ³
Curve radius (min) (convex)	250 mm
Internal hose diameter (recom.)	12 mm
Size	150
Suction cup material	Nitrile rubber NBR
Material hardness	55 °Sh
Weight	433 g
Number of folds	1.5
Product family	FSGPL

Note:

- Suction force: The specified suction forces are theoretical values at a vacuum of -0.6 bar and with a smooth, dry workpiece surface - they do not include a safety factor
- Hose diameter: The recommended hose diameter refers to a hose length of approx. 2 m