

# Bellows suction cup (round)

<https://www.schmalz.com/10.01.06.00302>



## FGA 50 VU1-72 N011 ON

Part no.: 10.01.06.00302

Homepage > Vacuum Technology for Automation > Vacuum Components > Vacuum Suction Cups > Bellows Suction Cups (Round) > FGA 50

VU1-72 N011 ON

### Bellows suction cup (round) with optimal adaptation to uneven surfaces



Size: 50

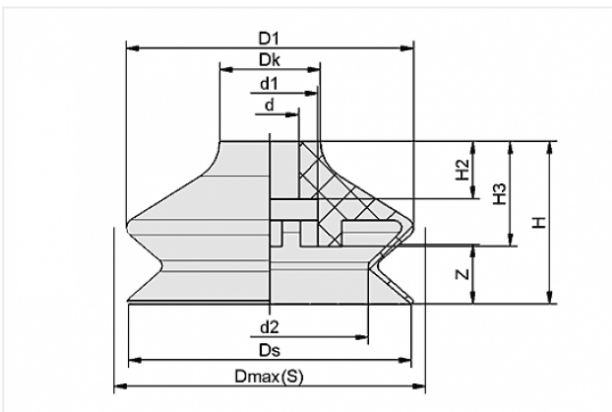
Suction cup material: Vulkollan VU1

Material hardness: 72 °Sh

Number of folds: 1.5

Additional feature: Oil groove

### Design Data



Attribute	Value
-----------	-------

d	8 mm
---	------

d1	13.6 mm
----	---------

d2	33.5 mm
----	---------

D1	50 mm
----	-------

Dk	17.5 mm
----	---------

Dmax(S)	53 mm
---------	-------

Ds	47 mm
----	-------

H	32.5 mm
---	---------

H2	8 mm
----	------

H3	17.8 mm
----	---------

Z	14.5 mm
---	---------

### Contact to Schmalz

J. Schmalz GmbH | Johannes-Schmalz-Straße, 72293 Glatten, Deutschland | +49 7443 2403-102 | [customercenter@schmalz.de](mailto:customercenter@schmalz.de)

## Technical Data

Attribute	Value
Number of folds	1.5
Suction force	53 N
Pull-off force	88 N
Volume	24.151 cm <sup>3</sup>
Curve radius (min) (convex)	50 mm
Size	50
Suction cup material	Vulkollan VU1
Weight	18.1 g
Curve radius (min) (convex)	50 mm
Product family	FGA

## Accessories



### SA-NIP N011 G1/4-AG DN350

Part no. 10.01.01.10663

Suction cup connection nipple

Nipple: N 011

Thread G1: G1/4-M

Overall length: 24.5 mm

Fitting length: 5 mm

Nominal size: 3,50 mm

Material: Aluminium

Spanner size SW2: 5 mm



**SA-NIP N011 G1/4-IG DN350**

Part no. 10.01.01.00412

Suction cup connection nipple

Nipple: N 011

Thread G1: G1/4-F

Overall length: 24.5 mm

Fitting length: 15 mm

Nominal size: 3,50 mm

Material: Aluminium

Spanner size SW2: 5 mm