

# Bellows suction cup (round)

<https://www.schmalz.com/10.01.06.00373>



## FGA 20 NBR-55 N016

Part no.: 10.01.06.00373

Homepage > Vacuum Technology for Automation > Vacuum Components > Vacuum Suction Cups > Bellows Suction Cups (Round) > FGA 20

NBR-55 N016

### Bellows suction cup (round) with optimal adaptation to uneven surfaces



Size: 20

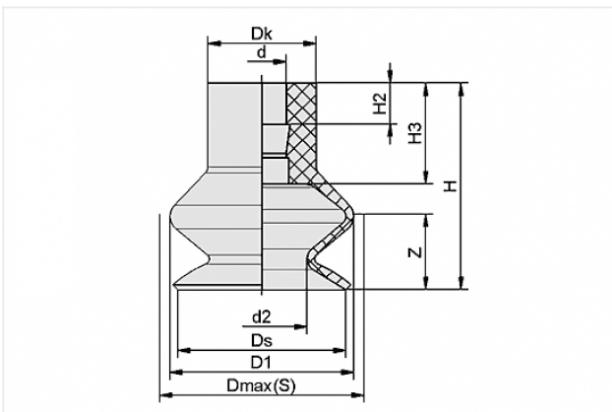
Suction cup material:

Nitrile rubber NBR

Material hardness: 55 °Sh

Number of folds: 1.5

### Design Data



Attribute	Value
-----------	-------

d	4.5 mm
---	--------

d2	11 mm
----	-------

D1	19.9 mm
----	---------

Dk	10 mm
----	-------

Dmax(S)	21 mm
---------	-------

Ds	18.1 mm
----	---------

H	15.2 mm
---	---------

H2	3.8 mm
----	--------

H3	8.7 mm
----	--------

Z	5 mm
---	------

### Contact to Schmalz

J. Schmalz GmbH | Johannes-Schmalz-Straße, 72293 Glatten, Deutschland | +49 7443 2403-102 | [customercenter@schmalz.de](mailto:customercenter@schmalz.de)

## Technical Data

Attribute	Value
Number of folds	1.5
Suction force	4.7 N
Size	20
Suction cup material	Nitrile rubber NBR
Weight	1.7 g
Curve radius (min) (convex)	30 mm
Product family	FGA

## Accessories



### SA-NIP N016 M5-AG DN250

Part no. 10.01.06.00123

Suction cup connection nipple

Nipple: N 016

Thread G1: M5-M

Overall length: 16 mm

Fitting length: 5 mm

Nominal size: 2,50 mm

Material: Aluminium



### SA-NIP N016 G1/8-AG DN350

Part no. 10.01.06.05735

Suction cup connection nipple

Nipple: N 016

Thread G1: G1/8-M

Overall length: 20 mm

Fitting length: 6 mm

Nominal size: 3,50 mm

Material: Aluminium

## Contact to Schmalz



**SA-NIP N016 G1/8-IG DN350**

Part no. 10.01.06.05731

Suction cup connection nipple

Nipple: N 016

Thread G1: G1/8-F

Overall length: 18.5 mm

Fitting length: 12 mm

Nominal size: 3,50 mm

Material: Aluminium



**SPI 18 PEEK**

Part no. 10.01.06.03284

Insert disc for preventing film from being drawn in

Size: 18

Material: Polyetheretherketon

Application: FGA20