

Suction Cup Balance SSCB

<https://www.schmalz.com/10.01.15.00850>



SSCB-78 141-171 EP M6-IG
FSG-VU1

Part no.: 10.01.15.00850

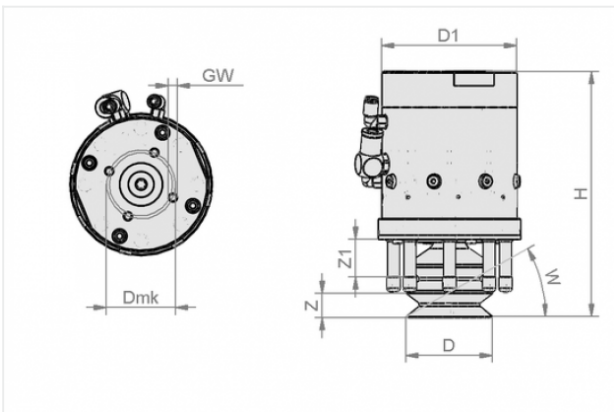
Homepage > Vacuum Clamping Technology > 3D Clamping Solutions > Suction-Cup Balance > SSCB-78 141-171 EP M6-IG FSG-VU1

Vacuum Clamping System for automated 3D-fixation



Pitch diameter D mk: 78 mm
Operating altitude (range):
141.0 ... 171.0 mm
function:
Independently controlled Pins
Suct. cups: Bellows suct. cup FSG
Connection: M6-F
Material: VU1
Material hardness: 72 °Sh
Material workpiece support:
Nitrile rubber NBR
Height H1: 179 mm

Design Data



Attribute	Value
Z (all)	46 mm

Technical Data

Attribute	Value
Weight	2,597.8 g

Contact to Schmalz

J. Schmalz GmbH | Johannes-Schmalz-Straße, 72293 Glatten, Deutschland | +49 7443 2403-102 |
customercenter@schmalz.de



[Contact to Schmalz](#)

J. Schmalz GmbH | Johannes-Schmalz-Straße, 72293 Glatten, Deutschland | +49 7443 2403-102 |
customercenter@schmalz.de