

Suction Cup Balance SSCB

<https://www.schmalz.com/10.01.15.00922>



SSCB-78 141-171 ZP M6-IG
FSG-VU1

Part no.: 10.01.15.00922

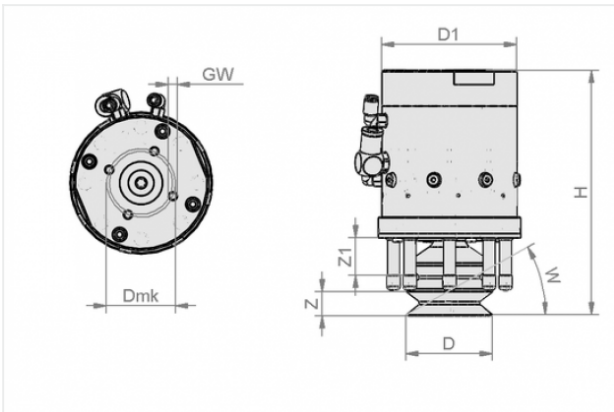
Homepage > Vacuum Clamping Technology > 3D Clamping Solutions > Suction-Cup Balance > SSCB-78 141-171 ZP M6-IG FSG-VU1

Vacuum Clamping System for automated 3D-fixation



Pitch diameter D mk: 78 mm
Operating altitude (range):
141.0 ... 171.0 mm
function: Jointly controlled Pins
Suct. cups: Bellows suct. cup FSG
Connection: M6-F
Material: VU1
Material hardness: 72 °Sh
Material workpiece support:
Nitrile rubber NBR

Design Data



Attribute

Value

Attribute	Value
Z (all)	46 mm

Technical Data

Attribute

Value

Weight	2,609.7 g
--------	-----------

Contact to Schmalz

J. Schmalz GmbH | Johannes-Schmalz-Straße, 72293 Glatten, Deutschland | +49 7443 2403-102 | customercenter@schmalz.de



Contact to Schmalz

J. Schmalz GmbH | Johannes-Schmalz-Straße, 72293 Glatten, Deutschland | +49 7443 2403-102 |
customercenter@schmalz.de