

# Mechanical clamp

## ISM-C-ST 175x175x97 12-80

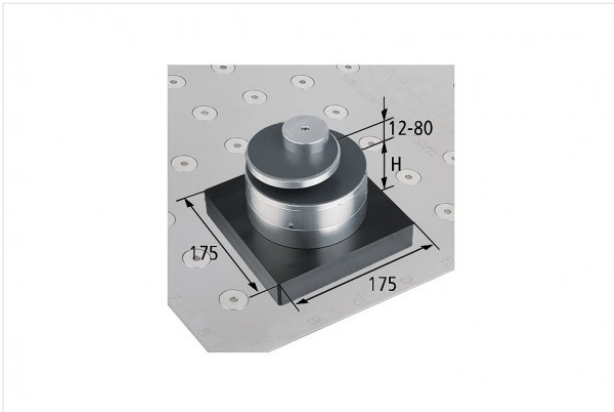
<https://www.schmalz.com/10.01.15.00256>



Part no.: 10.01.15.00256

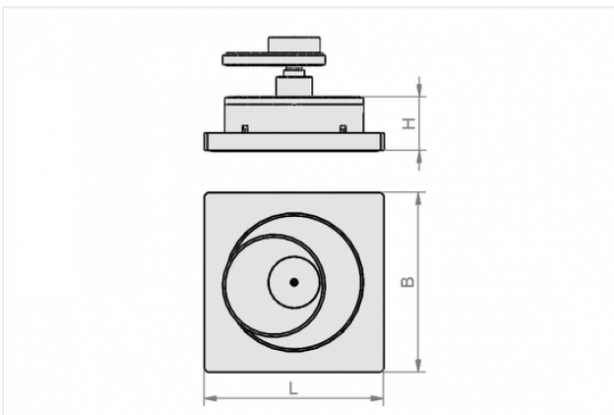
Homepage > Vacuum Clamping Technology > Clamping Solutions for Woodworking > Modernization of CNC Machining Centers > Innospann Steel-Plate-T > ISMC-ST 175x175x97 12-80

### Mechanical clamp for narrow and frame parts, for Steel-Plate-T



Basic area: 175 x 175 mm mm  
Height H: 97 mm  
Stroke Z: 10 mm  
Clamping range: 12.0 ... 80.0 mm

### Design Data



| Attribute | Value |
|-----------|-------|
|-----------|-------|

|   |        |
|---|--------|
| B | 175 mm |
|---|--------|

|   |       |
|---|-------|
| H | 97 mm |
|---|-------|

|   |        |
|---|--------|
| L | 175 mm |
|---|--------|

### Technical Data

| Attribute | Value |
|-----------|-------|
|-----------|-------|

|        |         |
|--------|---------|
| Weight | 3.38 kg |
|--------|---------|

### Contact to Schmalz

J. Schmalz GmbH | Johannes-Schmalz-Straße, 72293 Glatten, Deutschland | +49 7443 2403-102 | [customercenter@schmalz.de](mailto:customercenter@schmalz.de)

