

# Mechanical clamp

## ISMC-S 175x175x97 12-80

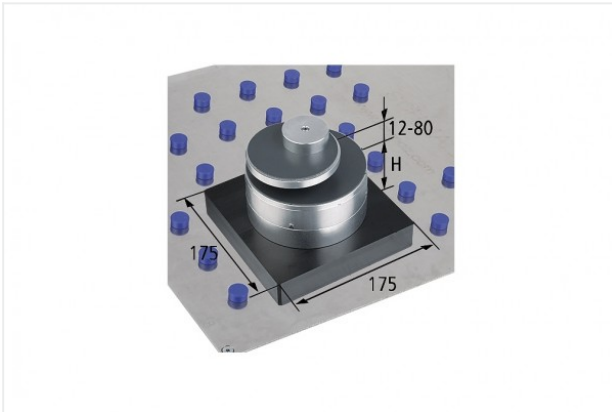
<https://www.schmalz.com/10.01.15.00254>



Part no.: 10.01.15.00254

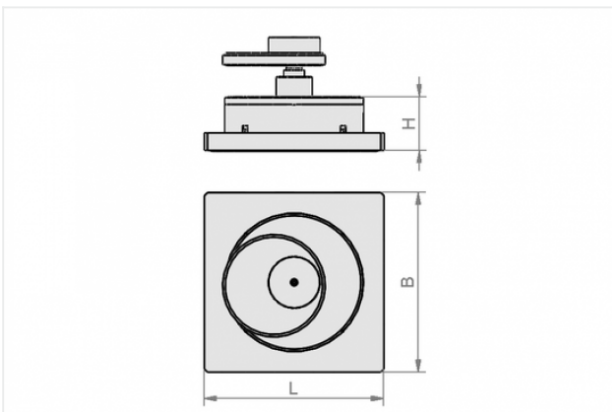
Homepage > Vacuum Clamping Technology > Clamping Solutions for Woodworking > Modernization of CNC Machining Centers > Innospann Steel-Plate > ISMC-S 175x175x97 12-80

### Mechanical clamp for narrow and frame parts, for Steel-Plate



Basic area: 175 x 175 mm mm  
Height H: 97 mm  
Stroke Z: 10 mm  
Clamping range: 12.0 ... 80.0 mm

### Design Data



Attribute	Value
-----------	-------

B	175 mm
---	--------

H	97 mm
---	-------

L	175 mm
---	--------

### Technical Data

Attribute	Value
-----------	-------

Weight	2.949 kg
--------	----------

### Contact to Schmalz

J. Schmalz GmbH | Johannes-Schmalz-Straße, 72293 Glatten, Deutschland | +49 7443 2403-102 | [customercenter@schmalz.de](mailto:customercenter@schmalz.de)



---

### Contact to Schmalz

J. Schmalz GmbH | Johannes-Schmalz-Straße, 72293 Glatten, Deutschland | +49 7443 2403-102 |  
customercenter@schmalz.de