

Vacuum block

VCBL-T 120x50x100 SH

<https://www.schmalz.com/10.01.12.00009>



Part no.: 10.01.12.00009

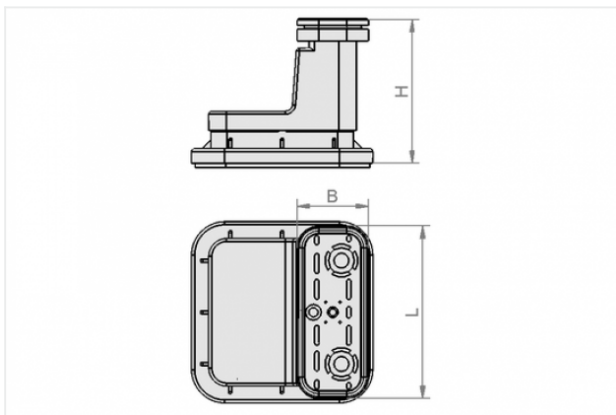
Homepage > Vacuum Clamping Technology > Clamping Solutions for Woodworking > Flat Table Systems > Vacuum Blocks VCBL-T > VCBL-T 120x50x100 SH

Vacuum block for hose-free table VC-T



Dimensions (LxB): 120 x 50 mm
Height H: 100 mm
with: Clamping lever

Design Data



Attribute	Value
-----------	-------

L	120 mm
---	--------

B	50 mm
---	-------

H	100 mm
---	--------

Spare Parts

Contact to Schmalz

J. Schmalz GmbH | Johannes-Schmalz-Straße, 72293 Glatten, Deutschland | +49 7443 2403-102 | customercenter@schmalz.de



VCSP-O 120x50x15.5

Part no. 10.01.12.00012

Suction-Plate for vacuum block, (top)

Dimensions (LxB): 120 x 50 mm

Height H: 15.5 mm



VCDR 120x120x8 BL

Part no. 10.01.12.00013

Sealing frame (bottom)

Length: 120 mm

Width: 120 mm

Height: 8 mm

for: Vacuum block