

# Vacuum block

## VCBL-T 125x75x100

<https://www.schmalz.com/10.01.12.00003>



Part no.: 10.01.12.00003

Homepage > Vacuum Clamping Technology > Clamping Solutions for Woodworking > Flat Table Systems > Vacuum Blocks VCBL-T > VCBL-T 125x75x100

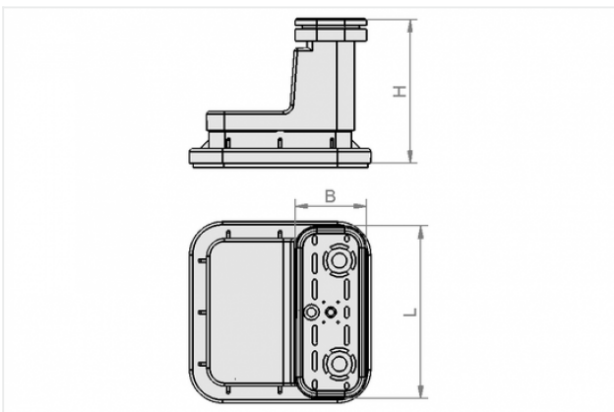
### Vacuum block for hose-free table VC-T



Dimensions (LxB): 125 x 75 mm

Height H: 100 mm

### Design Data



| Attribute | Value |
|-----------|-------|
|-----------|-------|

|   |        |
|---|--------|
| L | 125 mm |
|---|--------|

|   |       |
|---|-------|
| B | 75 mm |
|---|-------|

|   |        |
|---|--------|
| H | 100 mm |
|---|--------|

### Spare Parts

#### Contact to Schmalz

J. Schmalz GmbH | Johannes-Schmalz-Straße, 72293 Glatten, Deutschland | +49 7443 2403-102 | [customercenter@schmalz.de](mailto:customercenter@schmalz.de)



**VCSP-O 125x75x16.5**

Part no. 10.01.12.00011

Suction-Plate for vacuum block, (top)

Dimensions (LxB): 125 x 75 mm

Height H: 16.5 mm



**VCDR 120x120x8 BL**

Part no. 10.01.12.00013

Sealing frame (bottom)

Length: 120 mm

Width: 120 mm

Height: 8 mm

for: Vacuum block