

# Vacuum block

## VCBL-T 120x120x100 AS

<https://www.schmalz.com/10.01.12.00002>



Part no.: 10.01.12.00002

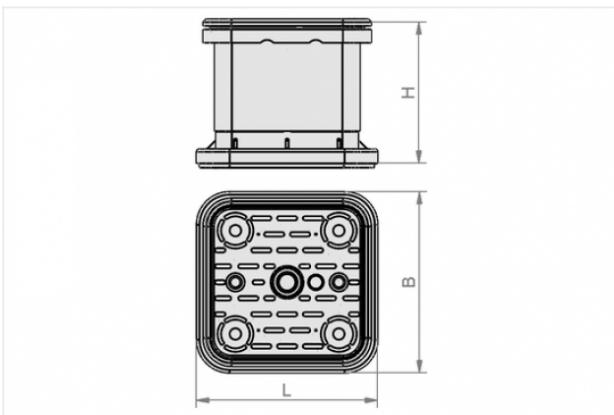
Homepage > Vacuum Clamping Technology > Clamping Solutions for Woodworking > Flat Table Systems > Vacuum Blocks VCBL-T > VCBL-T 120x120x100 AS

### Vacuum block for hose-free table VC-T



Dimensions (LxB): 120 x 120 mm  
Height H: 100 mm  
with: Lifting system

### Design Data



Attribute	Value
-----------	-------

L	120 mm
---	--------

B	120 mm
---	--------

H	100 mm
---	--------

### Spare Parts

#### Contact to Schmalz

J. Schmalz GmbH | Johannes-Schmalz-Straße, 72293 Glatten, Deutschland | +49 7443 2403-102 | [customercenter@schmalz.de](mailto:customercenter@schmalz.de)



**VCSP-O 120x120x16.5**

Part no. 10.01.12.00010

Suction-Plate for vacuum block, (top)

Dimensions (LxB): 120 x 120 mm

Height H: 16.5 mm



**VCDR 120x120x8 BL**

Part no. 10.01.12.00013

Sealing frame (bottom)

Length: 120 mm

Width: 120 mm

Height: 8 mm

for: Vacuum block