

Sealing frame (bottom)

<https://www.schmalz.com/10.01.12.00013>



VCDR 120x120x8 BL

Part no.: 10.01.12.00013

Homepage > Vacuum Clamping Technology > Clamping Solutions for Woodworking > Replacement Suction Plates > Bottom Suction Plates >

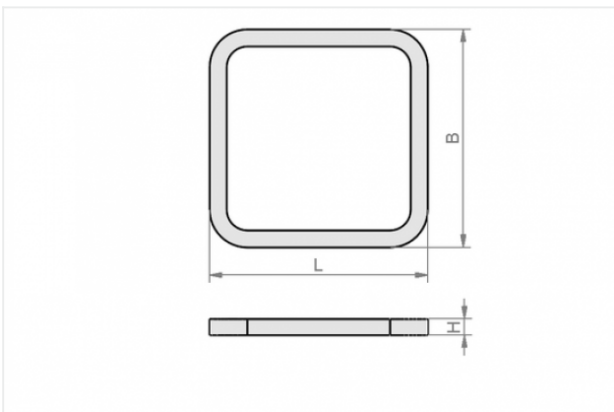
VCDR 120x120x8 BL

Sealing frame (bottom)



Length: 120 mm
Width: 120 mm
Height: 8 mm
for: Vacuum block

Design Data



| Attribute | Value |
|-----------|-------|
|-----------|-------|

| | |
|---|--------|
| B | 120 mm |
|---|--------|

| | |
|---|------|
| H | 8 mm |
|---|------|

| | |
|---|--------|
| L | 120 mm |
|---|--------|

Contact to Schmalz

J. Schmalz GmbH | Johannes-Schmalz-Straße, 72293 Glatten, Deutschland | +49 7443 2403-102 | customercenter@schmalz.de