

# Quadbase

## ISQB-G 175x175x22

Part no.: 10.01.15.00007

<https://www.schmalz.com/10.01.15.00007>



Homepage > Vacuum Clamping Technology > Clamping Solutions for Woodworking > Flat Table Systems > Innospann Vacuum Blocks for Flat Tables > ISQB-G 175x175x22

### Quadbase with 2 hose connections, for smooth tables

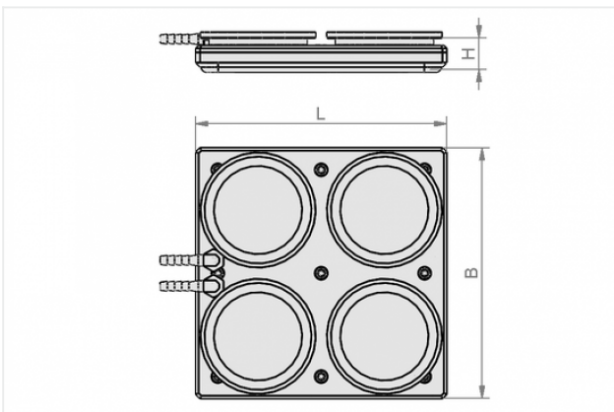


Basic area: 175 x 175 mm

Height H: 22 mm

for: Hose D = 8 d = 6

### Design Data



Attribute	Value
-----------	-------

L	175 mm
---	--------

B	175 mm
---	--------

H	22 mm
---	-------

### Technical Data

Attribute	Value
-----------	-------

Weight	0.994 kg
--------	----------

### Contact to Schmalz

J. Schmalz GmbH | Johannes-Schmalz-Straße, 72293 Glatten, Deutschland | +49 7443 2403-102 | [customercenter@schmalz.de](mailto:customercenter@schmalz.de)

## Spare Parts



### DI-SCHN 8 MOS EPDM-20

Part no. 10.07.04.00002

Sealing cord

External diameter D: 8 mm

Material-Type: Foam rubber

Sealing material: EPDM

Material hardness: 20 °Sh

## Accessories



### ISCUP Cup 1 80x80x30

Part no. 10.01.15.00003

Suction cup for Innospann

Dimensions (LxB): 80 x 80 mm

Height H: 30 mm



### ISCUP Cup 2 80x40x30

Part no. 10.01.15.00004

Suction cup for Innospann

Dimensions (LxB): 80 x 40 mm

Height H: 30 mm



**ISCUP Cup 3 80x28x30**

Part no. 10.01.15.00005

Suction cup for Innospann

Dimensions (LxB): 80 x 28 mm

Height H: 30 mm