

Monobase ISMB-G 80x80x55

Part no.: 10.01.15.00128

<https://www.schmalz.com/10.01.15.00128>



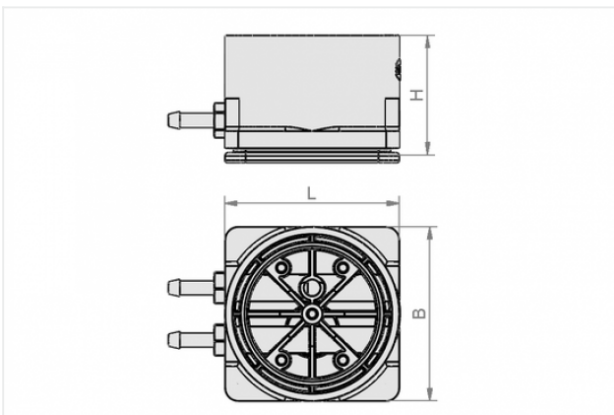
Homepage > Vacuum Clamping Technology > Clamping Solutions for Woodworking > Flat Table Systems > Innospann Vacuum Blocks for Flat Tables > ISMB-G 80x80x55

Monobase-G with 2 hose connections for smooth tables



Basic area: 80 x 80 mm
Height H: 55 mm
for: Hose D = 8 d = 6

Design Data



Attribute	Value
-----------	-------

L	80 mm
---	-------

B	80 mm
---	-------

H	55 mm
---	-------

Technical Data

Attribute	Value
-----------	-------

Weight	0.458 kg
--------	----------

Contact to Schmalz

J. Schmalz GmbH | Johannes-Schmalz-Straße, 72293 Glatten, Deutschland | +49 7443 2403-102 | customercenter@schmalz.de

Accessories



IS-CUP Cup 1 80x80x30

Part no. 10.01.15.00003

Suction cup for Innospann

Dimensions (LxB): 80 x 80 mm

Height H: 30 mm



IS-CUP Cup 2 80x40x30

Part no. 10.01.15.00004

Suction cup for Innospann

Dimensions (LxB): 80 x 40 mm

Height H: 30 mm



IS-CUP Cup 3 80x28x30

Part no. 10.01.15.00005

Suction cup for Innospann

Dimensions (LxB): 80 x 28 mm

Height H: 30 mm