

Vacuum block

<https://www.schmalz.com/10.01.12.00054>



VCBL-G-K2 120x120x100 AS

Part no.: 10.01.12.00054

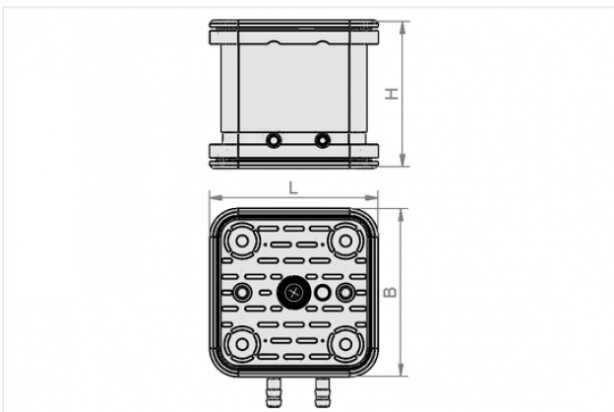
Homepage > Vacuum Clamping Technology > Clamping Solutions for Woodworking > Flat Table Systems > Vacuum Blocks VCBL-G with Hose Connection > VCBL-G-K2 120x120x100 AS

Vacuum block for smooth table with hose connection



for: 2-circuit vacuum system
Dimensions (LxB): 120 x 120 mm
Height H: 100 mm
with: Lifting system
Internal hose diameter (recom.): 9 mm

Design Data



Attribute	Value
H	100 mm

Spare Parts

Contact to Schmalz

J. Schmalz GmbH | Johannes-Schmalz-Straße, 72293 Glatten, Deutschland | +49 7443 2403-102 | customercenter@schmalz.de



VCSP-O 120x120x16.5

Part no. 10.01.12.00010

Suction-Plate for vacuum block, (top)

Dimensions (LxB): 120 x 120 mm

Height H: 16.5 mm



VCSP-U 120x120x16.5 VCBL-G

Part no. 10.01.12.00063

Suction-Plate for vacuum block, bottom

Dimensions (LxB): 120 x 120 mm

Height H: 16.5 mm

for: Vacuum block VCBL-G